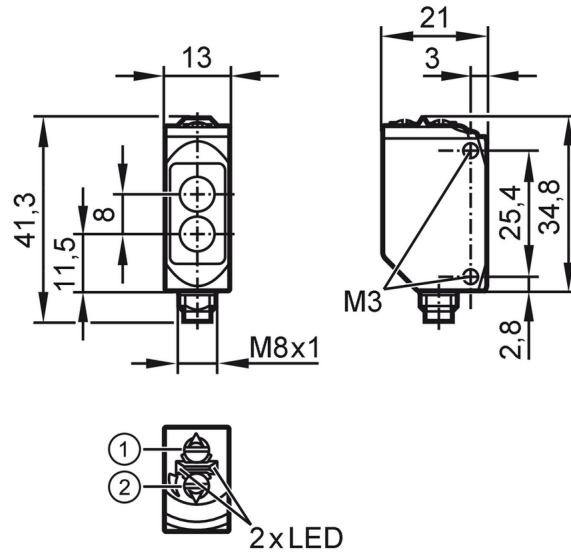


# O6P306



## Retro-reflective sensor

O6P-FNKG/AS/3P



- 1: output function switch
- 2: potentiometer sensitivity



### Product characteristics

Type of light	red light
Housing	rectangular

### Application

Special feature	polarization filter
Function principle	Retro-reflective sensor

### Electrical data

Operating voltage	[V]	10...30 DC
Current consumption	[mA]	12; ((24 V))
Protection class		III
Reverse polarity protection		yes
Type of light		red light
Wave length	[nm]	633

### Outputs

Electrical design		NPN
Output function		light-on/dark-on mode; (selectable)
Max. voltage drop switching output DC	[V]	2.5
Permanent current rating of switching output DC	[mA]	100
Switching frequency DC	[Hz]	1000
Short-circuit protection		yes
Type of short-circuit protection		yes (non-latching)

### Monitoring range

Range referred to prismatic reflector	[m]	0.05...5; (Prismatic reflector Ø 80 E20005)
---------------------------------------	-----	---

# O6P306



## Retro-reflective sensor

O6P-FNKG/AS/3P

Range adjustable	yes
Max. light spot diameter [mm]	150
Light spot dimensions refer to	at maximum range
Polarization filter available	yes

### Operating conditions

Ambient temperature [°C]	-25...80
Protection	IP 65; IP 67; IP 68; IP 69K

### Tests / approvals

EMC	EN 60947-5-2	
MTTF [years]	908	
UL approval	Ta	-25...40 °C
	Enclosure type	Type 1
	voltage supply	Class 2
	UL approval number	E001

### Mechanical data

Weight [g]	35.8
Housing	rectangular
Dimensions [mm]	41.3 x 13 x 21
Material	housing: stainless steel (1.4404 / 316L); sealing: EPDM; plastics: PPSU
Lens material	front lens:PMMA
Lens alignment	Side sensing
Tightening torque [Nm]	1; (screws)

### Displays / operating elements

Display	Switching status	1 x LED, yellow
	Power	1 x LED, green

### Remarks

Remarks	cULus - Class 2 source required
Pack quantity	1 pcs.

### Electrical connection

Connector: 1 x M8; coding: A; Contacts: 3

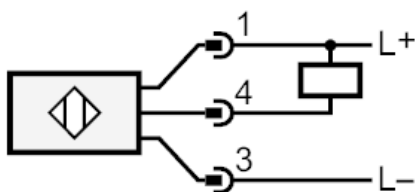




## Retro-reflective sensor

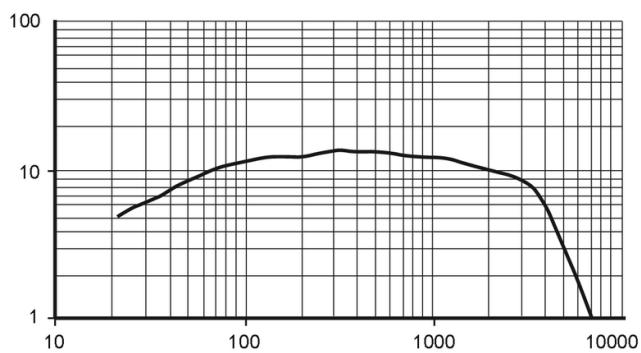
O6P-FNKG/AS/3P

### Connection



### Diagrams and graphs

excess gain graph



x: distance [mm]

y: excess gain factor