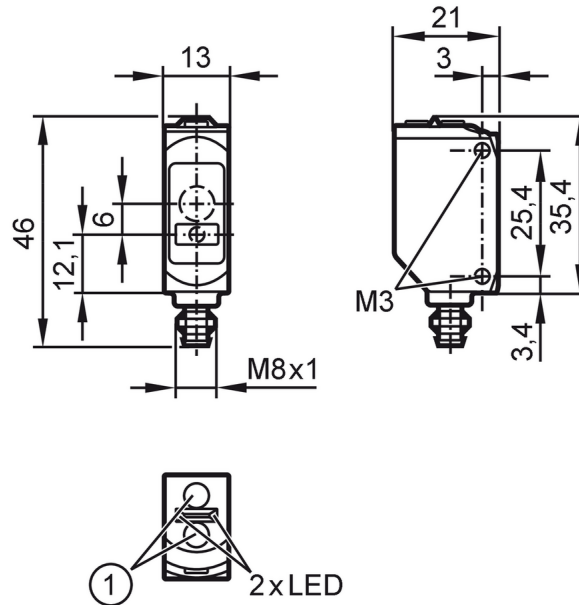


O6P702



Retro-reflective sensor

O6PLFPKG/AS/4P



- 1 Programming buttons
Receiver in upper lens , transmitter in lower lens



Product characteristics

Type of light	red light
Laser protection class	1
Housing	rectangular

Application

Function principle	Retro-reflective sensor
--------------------	-------------------------

Electrical data

Operating voltage [V]	10...30 DC
Current consumption [mA]	15; (24 V)
Protection class	III
Reverse polarity protection	yes
Type of light	red light
Wave length [nm]	650

Outputs

Electrical design	PNP
Output function	light-on/dark-on mode; (selectable)
Max. voltage drop switching output DC [V]	2.5
Permanent current rating of switching output DC [mA]	100
Switching frequency DC [Hz]	1000
Type of short-circuit protection	yes (non-latching)

Monitoring range

Range [m]	0.075...8; (Prismatic reflector 50 x 50 mm E20722)
Max. light spot diameter [mm]	17



Retro-reflective sensor

O6PLFPKG/AS/4P

Light spot dimensions refer to _____ at maximum range

Interfaces		
Communication interface	IO-Link	
Transmission type	COM2 (38,4 kBaud)	
IO-Link revision	1.1	
SDCI standard	IEC 61131-9	
Profiles	Smart Sensor - SSP 0	Generic Profiled Sensor
	Function	Device identification
	Function	Multiple switching signal
	Function	Device diagnosis
	Function	Teach channel
SIO mode	yes	
Required master port class	A	
Min. process cycle time [ms]	2.5	
IO-Link process data (cyclical)	Function	bit length
	process value	8
	device status	4
	binary switching information	1
IO-Link functions (acyclical)	application specific tag; operating hours counter; switching cycles counter	
Supported DeviceIDs	Type of operation	DeviceID
	default	525
Operating conditions		
Ambient temperature [°C]	-10...60	
Protection	IP 65; IP 67	
Tests / approvals		
EMC	EN 60947-5-2	
Laser protection class	1	
Notes on laser protection	Caution:	Laser light
	laser class:	1
		EN / IEC60825-1:2007
		EN / IEC60825-1:2014
		Complies with 21 CFR 1040.10 except for conformance with IEC 60825-1 Ed. 3, as described in Laser Notice No. 56, dated May 8, 2019.
MTTF [years]	636	
UL approval	Ta	-25...40 °C
	Enclosure type	Type 1
	voltage supply	Class 2
Mechanical data		
Weight [g]	19.3	
Housing	rectangular	
Dimensions [mm]	46 x 13 x 21	
Material	housing: ABS orange; Gehäuseoberteil: PPSU black; sealing: EPDM	
Lens material	front lens:PMMA	
Lens alignment	Side sensing	
Tightening torque [Nm]	0.5; (screws)	

O6P702



Retro-reflective sensor

O6PLFPKG/AS/4P

Displays / operating elements

Display	Switching status	1 x LED, yellow
	Power	1 x LED, green

Remarks

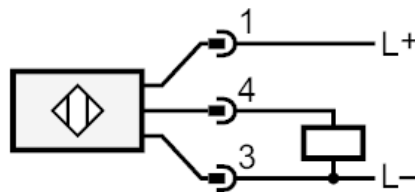
Remarks	cULus - Class 2 source required
Pack quantity	1 pcs.

Electrical connection - plug

Connector: 1 x M8; coding: A

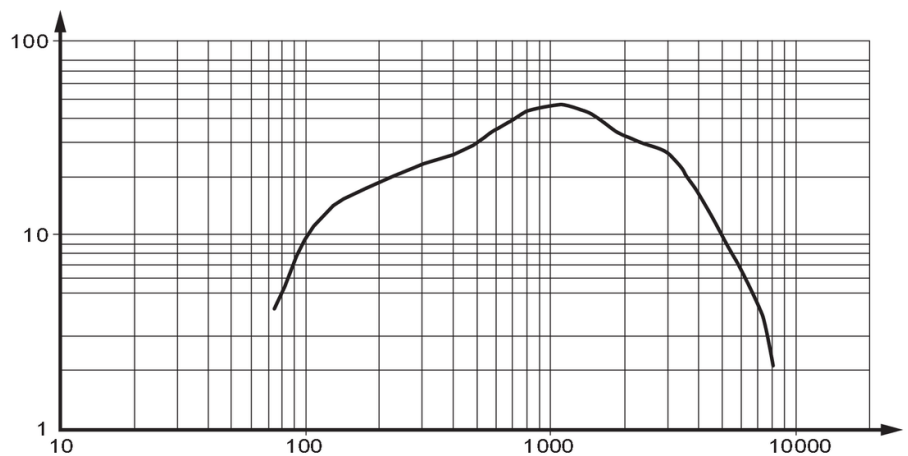


Connection



4 OUT / IO-Link

Diagrams and graphs



x: Abstand [mm]
y: Funktionsreservefaktor