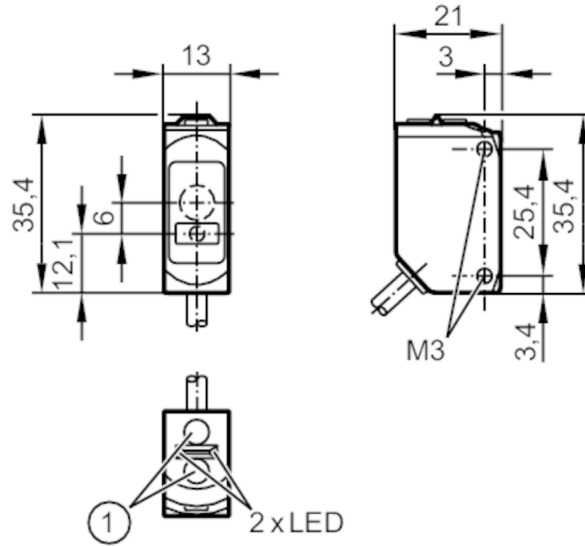


O6P701



Retro-reflective sensor

O6PLFPKG/0,30m/US



- 1 Programming buttons
Receiver in upper lens , transmitter in lower lens



Product characteristics

Type of light	red light
Laser protection class	1
Housing	rectangular
Dimensions [mm]	35.4 x 13 x 21

Application

Function principle	Retro-reflective sensor
--------------------	-------------------------

Electrical data

Operating voltage [V]	10...30 DC
Current consumption [mA]	15; (24 V)
Protection class	III
Reverse polarity protection	yes
Type of light	red light
Wave length [nm]	650

Outputs

Electrical design	PNP
Output function	light-on/dark-on mode; (selectable)
Max. voltage drop switching output DC [V]	2.5
Permanent current rating of switching output DC [mA]	100
Switching frequency DC [Hz]	1000
Type of short-circuit protection	yes (non-latching)

O6P701



Retro-reflective sensor

O6PLFPKG/0,30m/US

Monitoring range		
Range	[m]	0.075...8; (referred to prismatic reflector 50x 50 mm (E20722))
Max. light spot diameter	[mm]	17
Light spot dimensions refer to		at maximum range
Interfaces		
Communication interface		IO-Link
Transmission type		COM2 (38,4 kBaud)
IO-Link revision		1.1
SDCI standard		IEC 61131-9
IO-Link device ID		525d / 00020D h
Profiles		Smart Sensor: Device Identification; Device Diagnosis; Teach Channel; Binary Data Channel
SIO mode		yes
Required master port class		A
Operating conditions		
Ambient temperature	[°C]	-10...60
Protection		IP 65; IP 67
Tests / approvals		
EMC		EN 60947-5-2
Laser protection class		1
Notes on laser protection	Caution:	Laser light
	laser class:	1
		EN / IEC60825-1:2007
		EN / IEC60825-1:2014
		Complies with 21 CFR 1040 except for deviations pursuant to Laser Notice No. 50, dated June 2007.
MTTF	[years]	636
Mechanical data		
Weight	[g]	34.5
Housing		rectangular
Dimensions	[mm]	35.4 x 13 x 21
Material		housing: ABS; PPSU; sealing: EPDM
Lens material		PMMA
Lens alignment		Side sensing
Tightening torque	[Nm]	0.5; (screws)
Displays / operating elements		
Display	Switching status	1 x LED, yellow
	Power	1 x LED, green
Remarks		
Remarks		cULus - Class 2 source required
Pack quantity		1 pcs.
Electrical connection		
Cable: 0.3 m, PUR, black, Ø 3.7 mm; 3 x 0.25 mm ²		
Connector: 1 x M12		

O6P701



Retro-reflective sensor

O6PLFPKG/0,30m/US



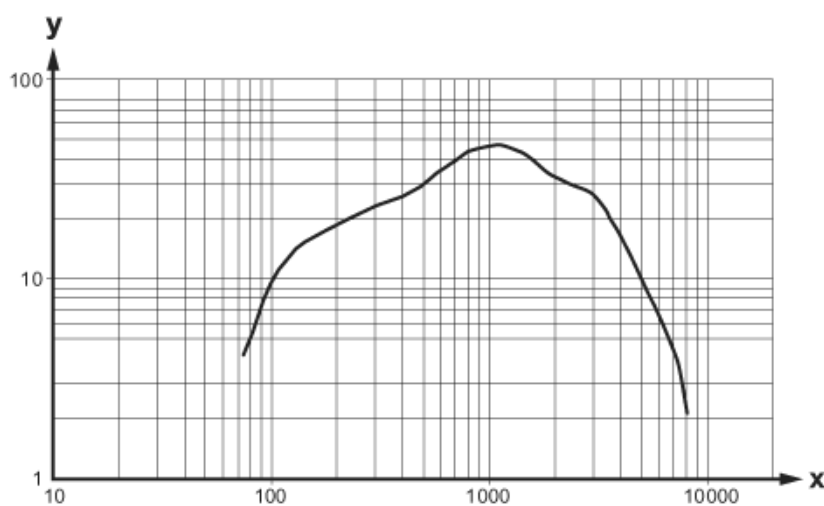
Connection



4

OUT / IO-Link

Diagrams and graphs



x: Abstand [mm]

y: Funktionsreservfaktor