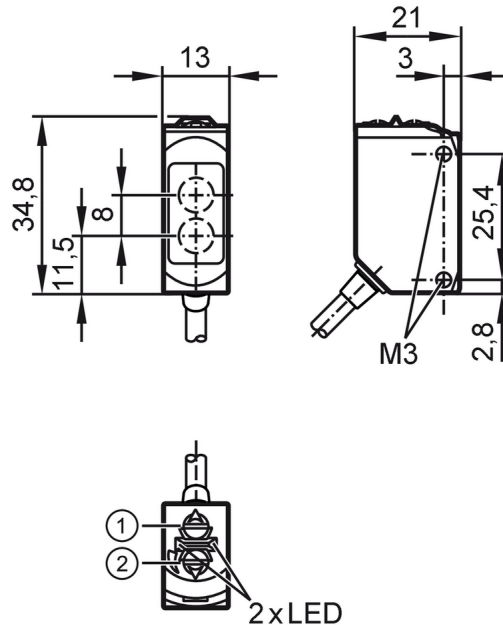


O6H305



Diffuse reflection sensors with background suppression

O6H-FNKG/0,30m/US



- 1 output function switch
- 1 potentiometer sensitivity
- Receiver in upper lens
- transmitter in lower lens



Product characteristics	
Type of light	red light
Housing	rectangular
Application	
Special feature	Background suppression
Function principle	Diffuse reflection sensor
Electrical data	
Operating voltage [V]	10...30 DC
Current consumption [mA]	22; ((24 V))
Protection class	III
Reverse polarity protection	yes
Type of light	red light
Wave length [nm]	633
Outputs	
Electrical design	NPN
Output function	light-on/dark-on mode; (selectable)
Max. voltage drop switching output DC [V]	2.5
Permanent current rating of switching output DC [mA]	100
Switching frequency DC [Hz]	1000
Short-circuit protection	yes
Type of short-circuit protection	yes (non-latching)

O6H305



Diffuse reflection sensors with background suppression

O6H-FNKG/0,30m/US

Monitoring range	
Range [mm]	2...200; (white paper 200 x 200 mm)
Range on white object (90 % remission) [mm]	2...200
Range on grey object (18 % remission) [mm]	4...200
Range on black object (6 % remission) [mm]	8...200
Range adjustable	yes
Max. light spot diameter [mm]	8
Light spot dimensions refer to	at maximum range
Background suppression available	yes

Operating conditions	
Ambient temperature [°C]	-25...80
Protection	IP 65; IP 67; IP 68; IP 69K

Tests / approvals		
EMC	EN 60947-5-2	
MTTF [years]	708	
UL approval	Ta	-25...40 °C
	Enclosure type	Type 1
	voltage supply	Class 2
	UL approval number	E006

Mechanical data	
Weight [g]	51.3
Housing	rectangular
Dimensions [mm]	34.8 x 13 x 21
Material	housing: stainless steel (1.4404 / 316L); sealing: EPDM; plastics: PPSU
Lens material	front lens:PMMA
Lens alignment	Side sensing
Tightening torque [Nm]	1; (screws)

Displays / operating elements		
Display	Switching status	1 x LED, yellow
	Power	1 x LED, green

Remarks	
Remarks	cULus - Class 2 source required
Pack quantity	1 pcs.

Electrical connection

Cable: 0.3 m, PVC; 3 x 0.25 mm²

Connector: 1 x M12; coding: A; Contacts: 4





Diffuse reflection sensors with background suppression

O6H-FNKG/0,30m/US

Connection



Diagrams and graphs



- a: sensor
- b: object
- c: background
- x: distance sensor/object [mm]
- y: min. distance object/background [mm]

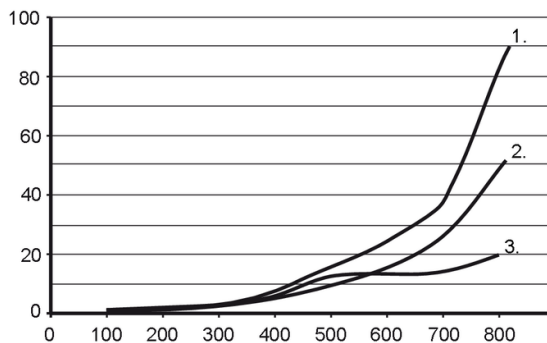
O6H305



Diffuse reflection sensors with background suppression

O6H-FNKG/0,30m/US

Background suppression chart



x: distance sensor/object [mm]

y: min. distance object/background [mm]

1 = object black (6 % remission) , Background white (90 % remission)

2 = object grey (18 % remission) , Background white (90 % remission)

3 = object white (90 % remission) , Background white (90 % remission)