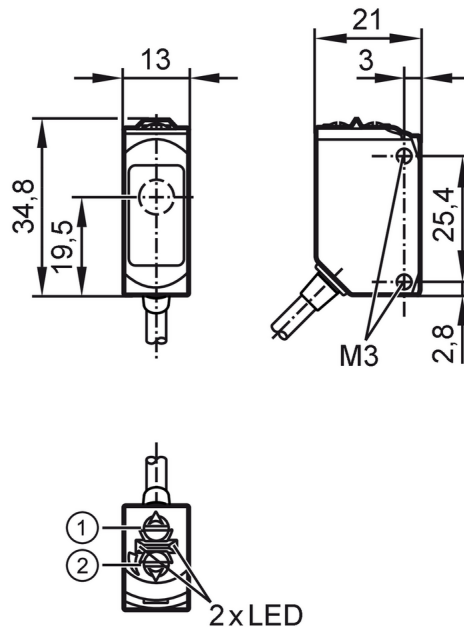


O6E304



Through-beam sensor receiver

O6E-FNKG



- 1 output function switch
- 1 potentiometer sensitivity



Product characteristics

Type of light	red light
Housing	rectangular

Application

Function principle	Through-beam sensor
--------------------	---------------------

Electrical data

Operating voltage	[V]	10...30 DC
Current consumption	[mA]	7; ((24 V))
Protection class		III
Reverse polarity protection		yes
Type of light		red light
Wave length	[nm]	633

Outputs

Electrical design		NPN
Output function		light-on/dark-on mode; (selectable)
Max. voltage drop switching output DC	[V]	2.5
Permanent current rating of switching output DC	[mA]	100
Switching frequency DC	[Hz]	1000
Short-circuit protection		yes
Type of short-circuit protection		yes (non-latching)

Monitoring range

Transmitter / receiver	receiver
------------------------	----------

O6E304



Through-beam sensor receiver

O6E-FNKG

Range	[m]	< 10
Range adjustable		yes

Operating conditions

Ambient temperature	[°C]	-25...80
Protection		IP 65; IP 67; IP 68; IP 69K

Tests / approvals

EMC		EN 60947-5-2
MTTF	[years]	1014
UL approval	Ta	-25...80 °C
	Enclosure type	Type 1
	voltage supply	Class 2
	UL approval number	E003

Mechanical data

Weight	[g]	81.5
Housing		rectangular
Dimensions	[mm]	34.8 x 13 x 21
Material		housing: stainless steel (1.4404 / 316L); sealing: EPDM; plastics: PPSU
Lens material		front lens:PMMA
Lens alignment		Side sensing
Tightening torque	[Nm]	1; (screws)

Displays / operating elements

Display	Switching status	1 x LED, yellow
	Power	1 x LED, green

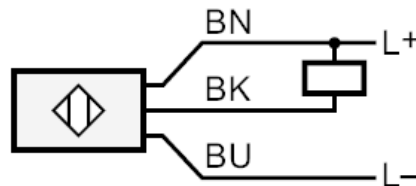
Remarks

Remarks	cULus - Class 2 source required
Pack quantity	1 pcs.

Electrical connection

Cable: 2 m, PVC; 3 x 0.25 mm²

Connection



Core colors :
BN = brown
BK = black
BU = blue

O6E304

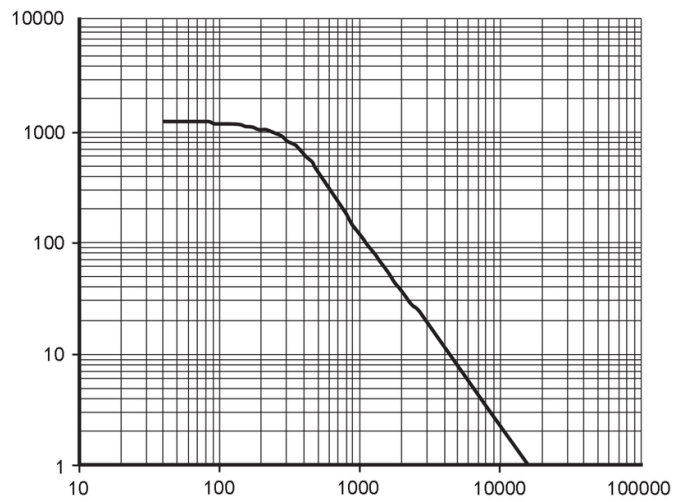


Through-beam sensor receiver

O6E-FNKG

Diagrams and graphs

excess gain graph



x: distance [mm]

y: excess gain factor