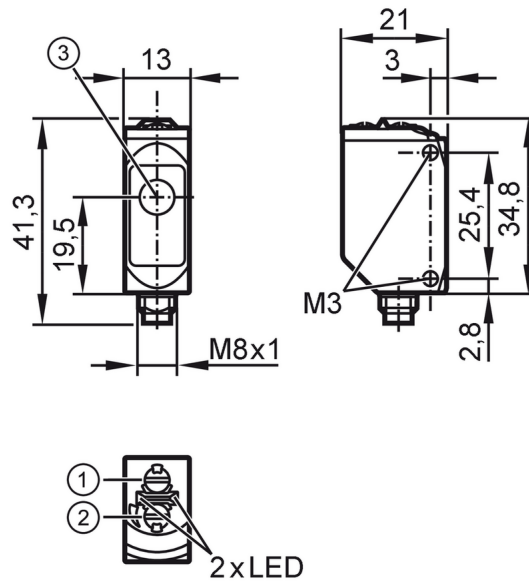


O6E303



Through-beam sensor receiver

O6E-FPKG/AS/4P



- 1: output function switch
- 2: potentiometer sensitivity
- 3: Light incidence



Product characteristics

| | |
|---------------|-------------|
| Type of light | red light |
| Housing | rectangular |

Application

| | |
|--------------------|----------------------------|
| Function principle | Through-beam sensor |
| Application | food and beverage industry |

Electrical data

| | | |
|-----------------------------|------|-------------|
| Operating voltage | [V] | 10...30 DC |
| Current consumption | [mA] | 7; ((24 V)) |
| Protection class | | III |
| Reverse polarity protection | | yes |
| Type of light | | red light |
| Wave length | [nm] | 633 |

Outputs

| | | |
|---|------|-------------------------------------|
| Electrical design | | PNP |
| Output function | | light-on/dark-on mode; (selectable) |
| Max. voltage drop switching output DC | [V] | 2.5 |
| Permanent current rating of switching output DC | [mA] | 100 |
| Switching frequency DC | [Hz] | 1000 |
| Short-circuit protection | | yes |
| Type of short-circuit protection | | yes (non-latching) |

Monitoring range

| | | |
|------------------------|--|----------|
| Transmitter / receiver | | receiver |
|------------------------|--|----------|

O6E303



Through-beam sensor receiver

O6E-FPKG/AS/4P

| | | |
|------------------|-----|------|
| Range | [m] | < 10 |
| Range adjustable | | yes |

Operating conditions

| | | |
|---------------------|------|-----------------------------|
| Ambient temperature | [°C] | -25...80 |
| Protection | | IP 65; IP 67; IP 68; IP 69K |

Tests / approvals

| | | |
|-------------|--------------------|--------------|
| EMC | | EN 60947-5-2 |
| MTTF | [years] | 1014 |
| UL approval | Ta | -25...40 °C |
| | Enclosure type | Type 1 |
| | voltage supply | Class 2 |
| | UL approval number | E001 |

Mechanical data

| | | |
|-------------------|------|---|
| Weight | [g] | 34.2 |
| Housing | | rectangular |
| Dimensions | [mm] | 34.8 x 13 x 21 |
| Material | | housing: stainless steel (1.4404 / 316L); sealing: EPDM; plastics: PPSU |
| Lens material | | front lens:PMMA |
| Lens alignment | | Side sensing |
| Tightening torque | [Nm] | 1; (screws) |

Displays / operating elements

| | | |
|---------|------------------|-----------------|
| Display | Switching status | 1 x LED, yellow |
| | Power | 1 x LED, green |

Remarks

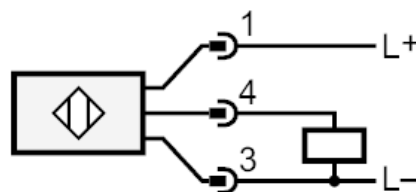
| | |
|---------------|---------------------------------|
| Remarks | cULus - Class 2 source required |
| Pack quantity | 1 pcs. |

Electrical connection

Connector: 1 x M8; coding: A; Contacts: 4



Connection



O6E303

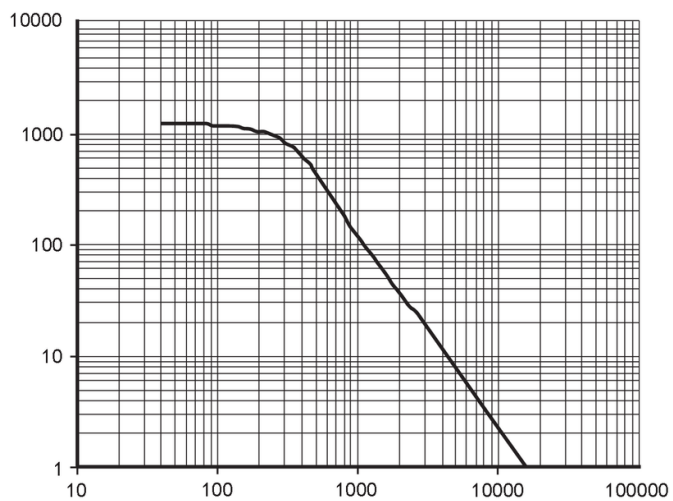


Through-beam sensor receiver

O6E-FPKG/AS/4P

Diagrams and graphs

excess gain graph



x: distance [mm]

y: excess gain factor