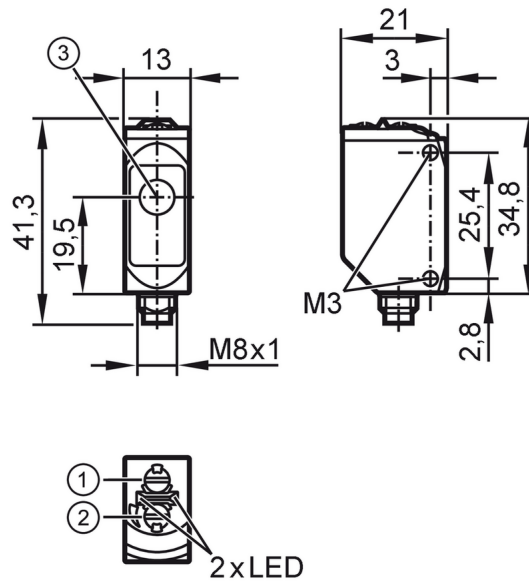


# O6E302



## Through-beam sensor receiver

O6E-FPKG/AS/3P



- 1: output function switch
- 2: potentiometer sensitivity
- 3: Light incidence



### Product characteristics

Type of light	red light
Housing	rectangular

### Application

Function principle	Through-beam sensor
Application	food and beverage industry

### Electrical data

Operating voltage	[V]	10...30 DC
Current consumption	[mA]	7; ((24 V))
Protection class		III
Reverse polarity protection		yes
Type of light		red light
Wave length	[nm]	633

### Outputs

Electrical design		PNP
Output function		light-on/dark-on mode; (selectable)
Max. voltage drop switching output DC	[V]	2.5
Permanent current rating of switching output DC	[mA]	100
Switching frequency DC	[Hz]	1000
Short-circuit protection		yes
Type of short-circuit protection		yes (non-latching)

### Monitoring range

Transmitter / receiver		receiver
------------------------	--	----------

# O6E302



## Through-beam sensor receiver

O6E-FPKG/AS/3P

Range	[m]	< 10
Range adjustable		yes

### Operating conditions

Ambient temperature	[°C]	-25...80
Protection		IP 65; IP 67; IP 68; IP 69K

### Tests / approvals

EMC		EN 60947-5-2
MTTF	[years]	1014
UL approval	Ta	-25...40 °C
	Enclosure type	Type 1
	voltage supply	Class 2
	UL approval number	E001

### Mechanical data

Weight	[g]	33.5
Housing		rectangular
Dimensions	[mm]	34.8 x 13 x 21
Material		housing: stainless steel (1.4404 / 316L); sealing: EPDM; plastics: PPSU
Lens material		front lens:PMMA
Lens alignment		Side sensing
Tightening torque	[Nm]	1; (screws)

### Displays / operating elements

Display	Switching status	1 x LED, yellow
	Power	1 x LED, green

### Remarks

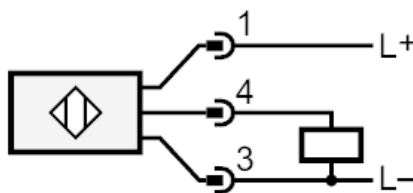
Remarks	cULus - Class 2 source required
Pack quantity	1 pcs.

### Electrical connection

Connector: 1 x M8; coding: A; Contacts: 3



### Connection



# O6E302

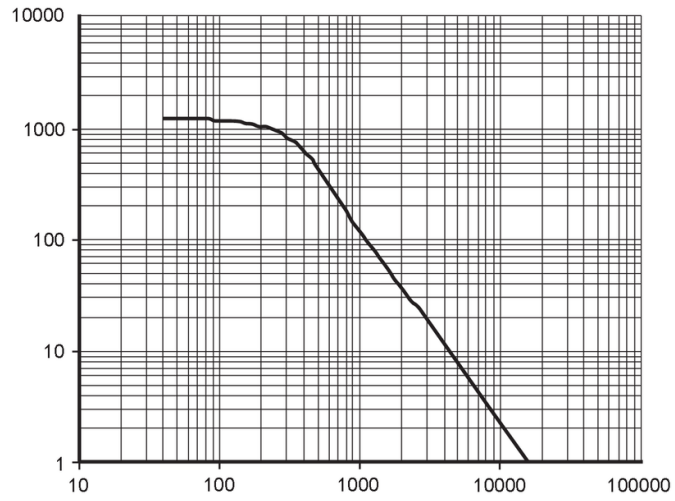


## Through-beam sensor receiver

O6E-FPKG/AS/3P

### Diagrams and graphs

excess gain graph



x: distance [mm]

y: excess gain factor