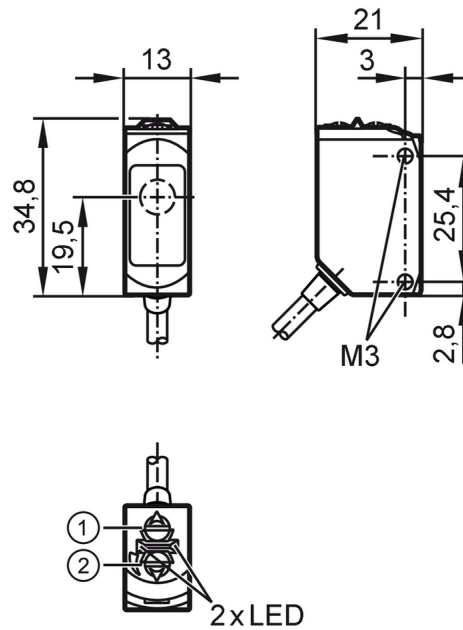


O6E300



Through-beam sensor receiver

O6E-FPKG



- 1 output function switch
1 potentiometer sensitivity



Product characteristics

Type of light	red light
Housing	rectangular

Application

Function principle	Through-beam sensor
Application	food and beverage industry

Electrical data

Operating voltage	[V]	10...30 DC
Current consumption	[mA]	7; ((24 V))
Protection class		III
Reverse polarity protection		yes
Type of light		red light
Wave length	[nm]	633

Outputs

Electrical design		PNP
Output function		light-on/dark-on mode; (selectable)
Max. voltage drop switching output DC	[V]	2.5
Permanent current rating of switching output DC	[mA]	100
Switching frequency DC	[Hz]	1000
Short-circuit protection		yes
Type of short-circuit protection		yes (non-latching)

O6E300



Through-beam sensor receiver

O6E-FPKG

Monitoring range		
Transmitter / receiver		receiver
Range [m]		< 10
Range adjustable		yes
Operating conditions		
Ambient temperature [°C]		-25...80
Protection		IP 65; IP 67; IP 68; IP 69K
Tests / approvals		
EMC	EN 60947-5-2	
MTTF [years]		1014
UL approval	Ta	-25...80 °C
	Enclosure type	Type 1
	voltage supply	Class 2
	UL approval number	E003
Mechanical data		
Weight [g]		80.8
Housing		rectangular
Dimensions [mm]		34.8 x 13 x 21
Material		housing: stainless steel (1.4404 / 316L); sealing: EPDM; plastics: PPSU
Lens material		front lens:PMMA
Lens alignment		Side sensing
Tightening torque [Nm]		1; (screws)
Displays / operating elements		
Display	Switching status	1 x LED, yellow
	Power	1 x LED, green
Remarks		
Remarks		cULus - Class 2 source required
Pack quantity		1 pcs.

O6E300



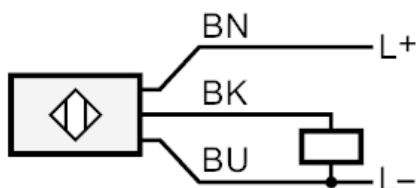
Through-beam sensor receiver

O6E-FPKG

Electrical connection

Cable: 2 m, PVC; 3 x 0.25 mm²

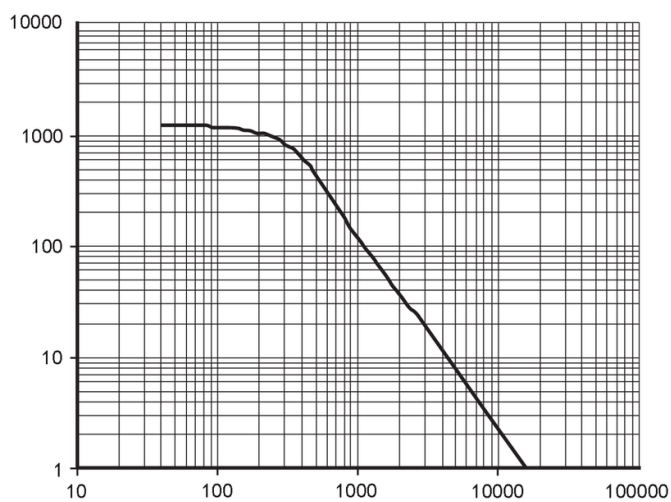
Connection



Core colors :
BK = black
BN = brown
BU = blue

Diagrams and graphs

excess gain graph



x: distance [mm]

y: excess gain factor