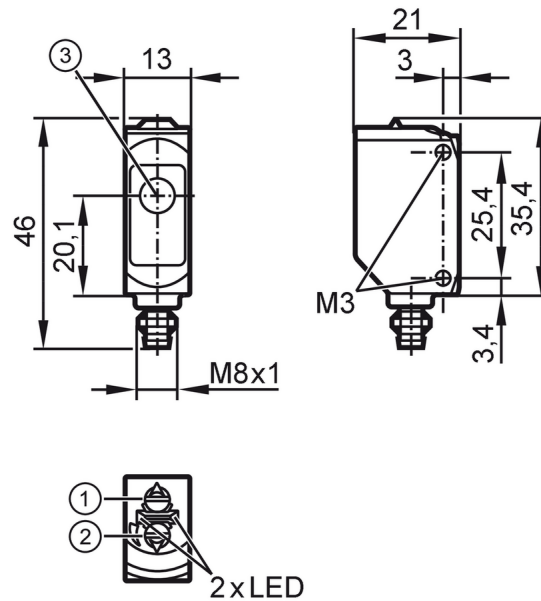


# O6E216



## Through-beam sensor receiver

O6EIFNKG/AS/4P



- 1: output function switch
- 2: potentiometer sensitivity
- 3: Light incidence



### Product characteristics

Type of light	Infrared light
Housing	rectangular

### Application

Function principle	Through-beam sensor
Application	Industrial applications

### Electrical data

Operating voltage	[V]	10...30 DC
Current consumption	[mA]	7; ((24 V))
Protection class		III
Reverse polarity protection		yes
Type of light		Infrared light
Wave length	[nm]	850

### Outputs

Electrical design		NPN
Output function		light-on/dark-on mode; (selectable)
Max. voltage drop switching output DC	[V]	2.5
Permanent current rating of switching output DC	[mA]	100
Switching frequency DC	[Hz]	1000
Short-circuit protection		yes
Type of short-circuit protection		yes (non-latching)

# O6E216



## Through-beam sensor receiver

O6EIFNKG/AS/4P

Monitoring range		
Transmitter / receiver		receiver
Range [m]		< 15
Range adjustable		yes
Operating conditions		
Ambient temperature [°C]		-25...60
Protection		IP 65; IP 67
Tests / approvals		
EMC	EN 60947-5-2	
MTTF [years]		956
UL approval	Ta	-25...40 °C
	Enclosure type	Type 1
	voltage supply	Class 2
	UL approval number	E001
Mechanical data		
Weight [g]		19.5
Housing		rectangular
Dimensions [mm]		46 x 13 x 21
Material		housing: ABS orange; upper part of the housing: PPSU black
Lens material		front lens:PMMA
Lens alignment		Side sensing
Sealing material		EPDM
Tightening torque [Nm]		0.5
Displays / operating elements		
Display	Switching status	1 x LED, yellow
	Power	1 x LED, green
Remarks		
Remarks		cULus - Class 2 source required
Pack quantity		1 pcs.
Electrical connection		
Connector: 1 x M8; coding: A; Contacts: 4; Locking: metal, coated; sealing: EPDM		

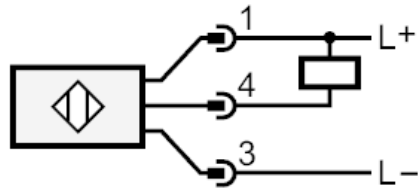
# O6E216



## Through-beam sensor receiver

O6EIFNKG/ASJ4P

### Connection



### Diagrams and graphs

excess gain graph

