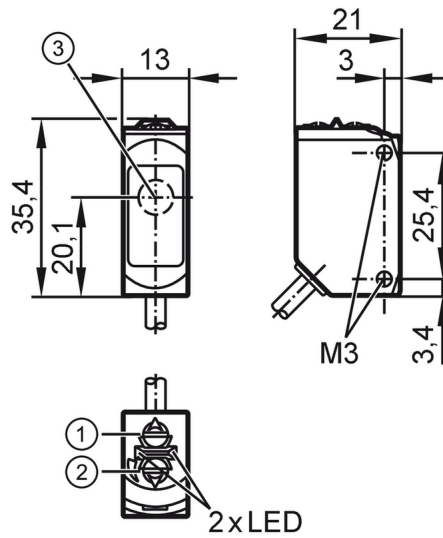


O6E204



Through-beam sensor receiver

O6E-FNKG



- 1 output function switch
- 2 potentiometer sensitivity
- 3 Light incidence



Product characteristics	
Type of light	red light
Housing	rectangular
Application	
Function principle	Through-beam sensor
Application	Industrial applications
Electrical data	
Operating voltage [V]	10...30 DC
Current consumption [mA]	7; ((24 V))
Protection class	III
Reverse polarity protection	yes
Type of light	red light
Wave length [nm]	633
Outputs	
Electrical design	NPN
Output function	light-on/dark-on mode; (selectable)
Max. voltage drop switching output DC [V]	2.5
Permanent current rating of switching output DC [mA]	100
Switching frequency DC [Hz]	1000
Short-circuit protection	yes
Type of short-circuit protection	yes (non-latching)
Monitoring range	
Transmitter / receiver	receiver
Range [m]	< 10

O6E204



Through-beam sensor receiver

O6E-FNKG

Range adjustable	yes
------------------	-----

Operating conditions

Ambient temperature [°C]	-25...60
Protection	IP 65; IP 67

Tests / approvals

EMC	EN 60947-5-2	
MTTF [years]	956	
UL approval	Ta	-25...60 °C
	Enclosure type	Type 1
	voltage supply	Class 2
	UL approval number	E008

Mechanical data

Weight [g]	59.7
Housing	rectangular
Dimensions [mm]	35.4 x 13 x 21
Material	housing: ABS orange; upper part of the housing: PPSU black; sealing: EPDM
Lens material	front lens:PMMA
Lens alignment	Side sensing
Tightening torque [Nm]	0.5

Displays / operating elements

Display	Switching status	1 x LED, yellow
	Power	1 x LED, green

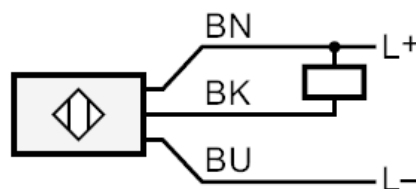
Remarks

Remarks	cULus - Class 2 source required
Pack quantity	1 pcs.

Electrical connection

Cable: 2 m, PUR; 3 x 0.25 mm²

Connection



Core colors :
BN = brown
BK = black
BU = blue

O6E204

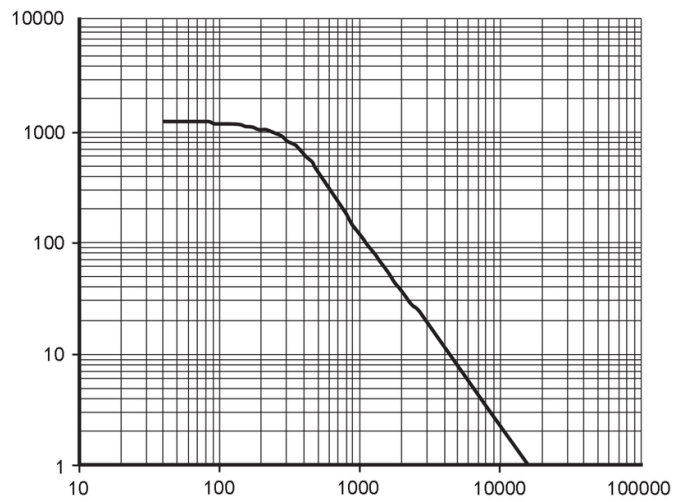


Through-beam sensor receiver

O6E-FNKG

Diagrams and graphs

excess gain graph



x: distance [mm]

y: excess gain factor