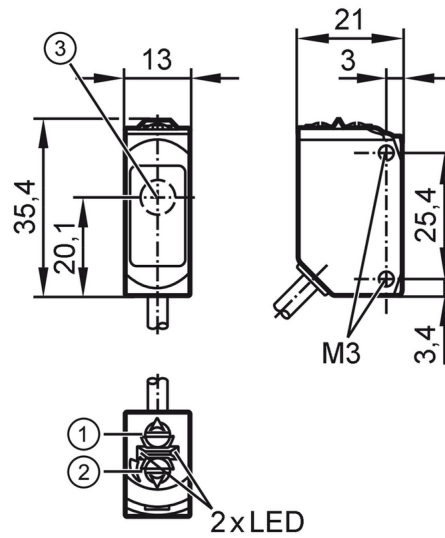


O6E200



Through-beam sensor receiver

O6E-FPKG



- 1 output function switch
- 2 potentiometer sensitivity
- 3 Light incidence



| Product characteristics | |
|--|-------------------------------------|
| Type of light | red light |
| Housing | rectangular |
| Application | |
| Function principle | Through-beam sensor |
| Application | Industrial applications |
| Electrical data | |
| Operating voltage [V] | 10...30 DC |
| Current consumption [mA] | 7; ((24 V)) |
| Protection class | III |
| Reverse polarity protection | yes |
| Type of light | red light |
| Wave length [nm] | 633 |
| Outputs | |
| Electrical design | PNP |
| Output function | light-on/dark-on mode; (selectable) |
| Max. voltage drop switching output DC [V] | 2.5 |
| Permanent current rating of switching output DC [mA] | 100 |
| Switching frequency DC [Hz] | 1000 |
| Short-circuit protection | yes |
| Type of short-circuit protection | yes (non-latching) |
| Monitoring range | |
| Transmitter / receiver | receiver |
| Range [m] | < 10 |

O6E200



Through-beam sensor receiver

O6E-FPKG

| | |
|------------------|-----|
| Range adjustable | yes |
|------------------|-----|

Operating conditions

| | |
|--------------------------|--------------|
| Ambient temperature [°C] | -25...60 |
| Protection | IP 65; IP 67 |

Tests / approvals

| | | |
|--------------|--------------------|-------------|
| EMC | EN 60947-5-2 | |
| MTTF [years] | 956 | |
| UL approval | Ta | -25...60 °C |
| | Enclosure type | Type 1 |
| | voltage supply | Class 2 |
| | UL approval number | E008 |

Mechanical data

| | |
|------------------------|---|
| Weight [g] | 59.5 |
| Housing | rectangular |
| Dimensions [mm] | 35.4 x 13 x 21 |
| Material | housing: ABS orange; upper part of the housing: PPSU black; sealing: EPDM |
| Lens material | front lens:PMMA |
| Lens alignment | Side sensing |
| Tightening torque [Nm] | 0.5; (screws) |

Displays / operating elements

| | | |
|---------|------------------|-----------------|
| Display | Switching status | 1 x LED, yellow |
| | Power | 1 x LED, green |

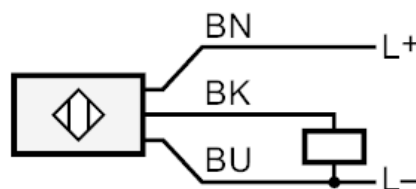
Remarks

| | |
|---------------|---------------------------------|
| Remarks | cULus - Class 2 source required |
| Pack quantity | 1 pcs. |

Electrical connection

Cable: 2 m, PUR; 3 x 0.25 mm²

Connection



Core colors :
BK = black
BN = brown
BU = blue

O6E200

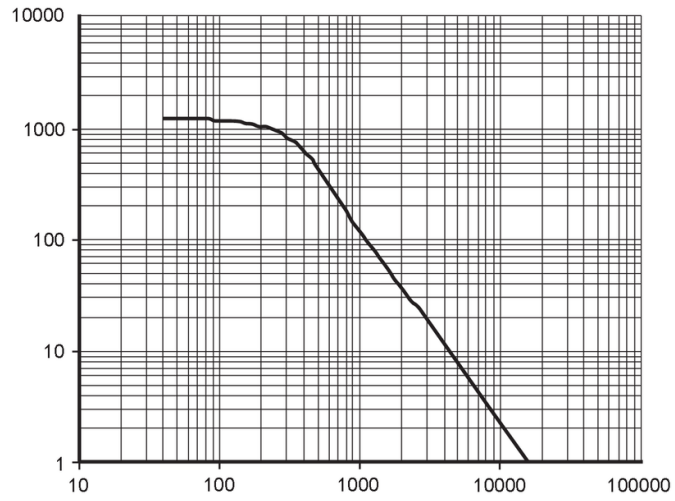


Through-beam sensor receiver

O6E-FPKG

Diagrams and graphs

excess gain graph



x: distance [mm]

y: excess gain factor