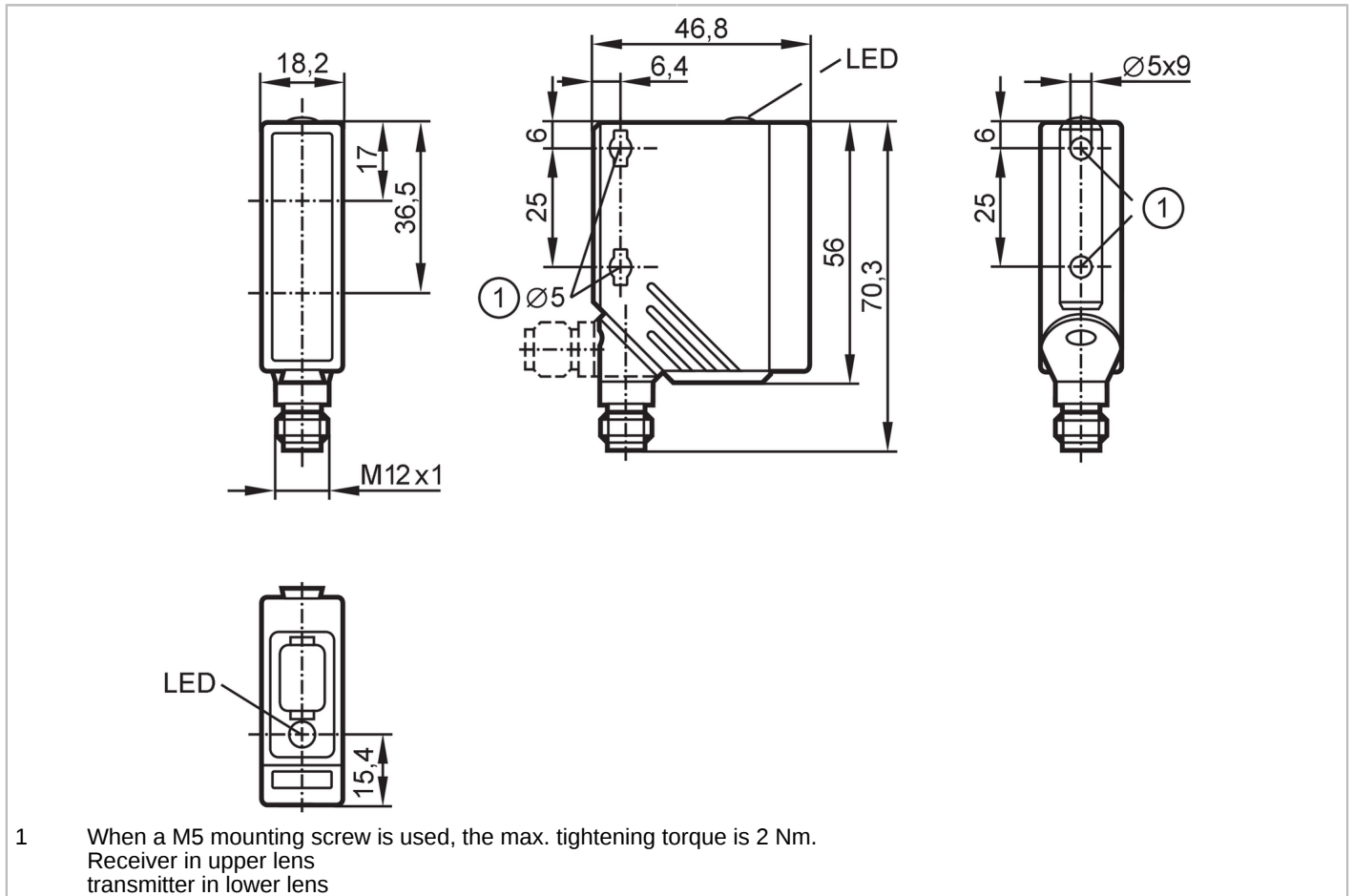


O5P201



Retro-reflective sensor

O5P-HPKG/US100



Product characteristics	
Type of light	red light
Housing	rectangular
Application	
Special feature	polarization filter
Function principle	Retro-reflective sensor
Electrical data	
Operating voltage [V]	10...36 DC
Current consumption [mA]	20
Protection class	II
Reverse polarity protection	yes
Type of light	red light
Wave length [nm]	624
Outputs	
Electrical design	PNP
Output function	light-on mode
Max. voltage drop switching output DC [V]	2.5

O5P201



Retro-reflective sensor

O5P-HPKG/US100

Permanent current rating of switching output DC [mA]	200
Switching frequency DC [Hz]	1000
Short-circuit protection	yes
Type of short-circuit protection	yes (non-latching)
Overload protection	yes

Monitoring range	
Range referred to prismatic reflector [m]	0.1...7; (Prismatic reflector Ø 80 E20005)
Range adjustable	no
Max. light spot diameter [mm]	175
Light spot dimensions refer to	at maximum range
Polarization filter available	yes

Operating conditions	
Ambient temperature [°C]	-25...60
Protection	IP 67

Tests / approvals	
EMC	EN 60947-5-2
MTTF [years]	492

Mechanical data	
Weight [g]	62
Housing	rectangular
Dimensions [mm]	56 x 18.2 x 46.8
Material	operator interface: TPE; housing: PA; Front framework: stainless steel
Lens material	front lens:PMMA
Lens alignment	Side sensing

Displays / operating elements		
Display	Switching status	1 x LED, yellow

Remarks	
Remarks	cULus - Class 2 source required
Pack quantity	1 pcs.

Electrical connection

Connector: 1 x M12; coding: A



O5P201



Retro-reflective sensor

O5P-HPKG/US100

Connection

