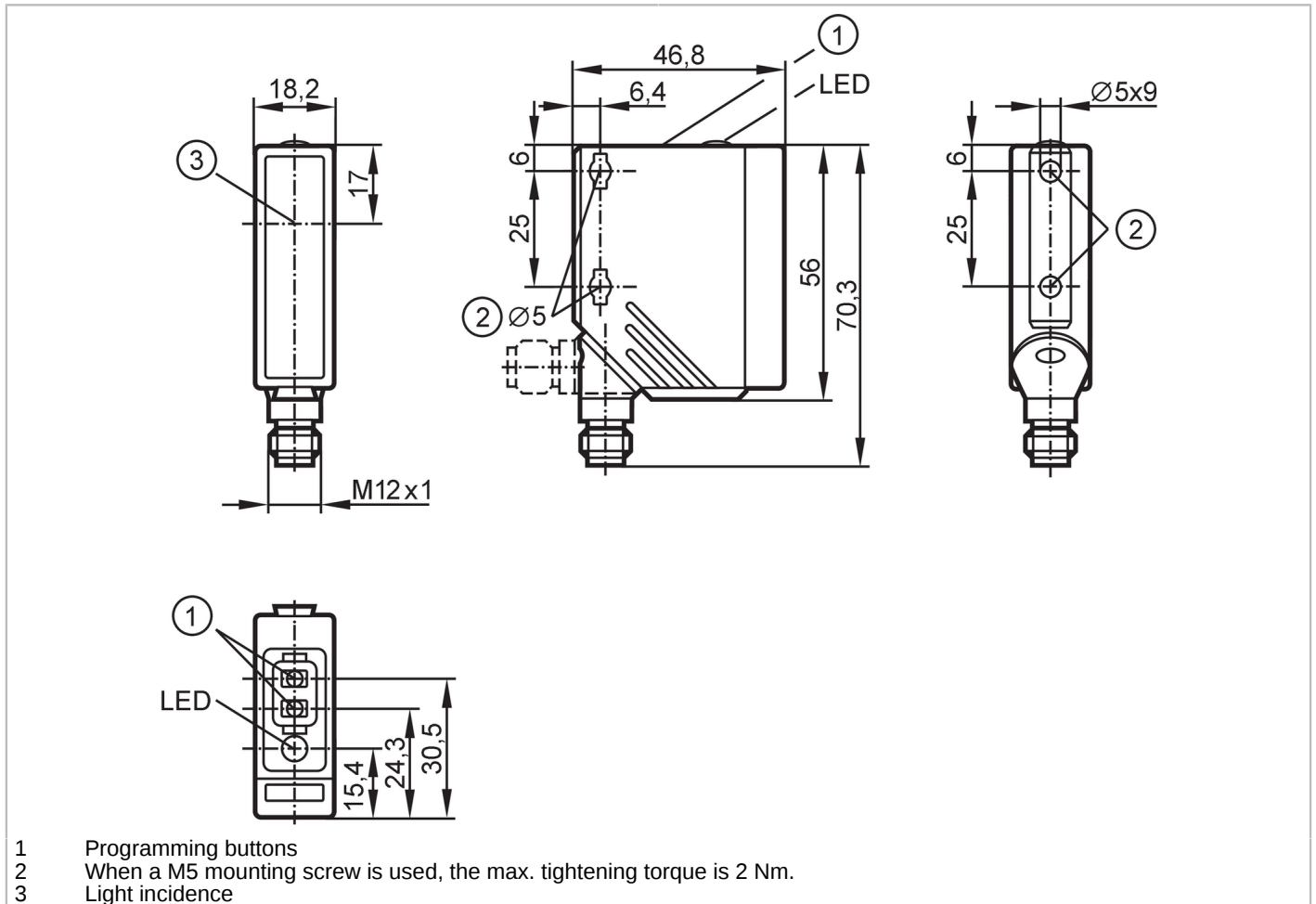


O5E500



Through-beam sensor receiver

O5E-FPKG/US100



- 1 Programming buttons
- 2 When a M5 mounting screw is used, the max. tightening torque is 2 Nm.
- 3 Light incidence



Product characteristics	
Type of light	red light
Housing	rectangular
Application	
Function principle	Through-beam sensor
Electrical data	
Operating voltage [V]	10...36 DC
Current consumption [mA]	11
Protection class	II
Reverse polarity protection	yes
Type of light	red light
Wave length [nm]	624
Outputs	
Electrical design	PNP
Output function	light-on/dark-on mode; (programmable)
Max. voltage drop switching output DC [V]	2.5

O5E500



Through-beam sensor receiver

O5E-FPKG/US100

Permanent current rating of switching output DC [mA]	200
Switching frequency DC [Hz]	1000
Short-circuit protection	yes
Type of short-circuit protection	yes (non-latching)
Overload protection	yes

Monitoring range

Transmitter / receiver	receiver
Range [m]	< 25
Range adjustable	yes

Operating conditions

Ambient temperature [°C]	-25...60
Protection	IP 67

Tests / approvals

EMC	EN 60947-5-2
MTTF [years]	801

Mechanical data

Weight [g]	67.5
Housing	rectangular
Dimensions [mm]	56 x 18.2 x 46.8
Material	housing: PA; Front framework: stainless steel; operator interface: TPU (urethane)
Lens material	front lens:PMMA
Lens alignment	Side sensing

Displays / operating elements

Display	Switching status	1 x LED, yellow
Teach function		yes
Electronic lock		yes

Remarks

Pack quantity	1 pcs.
---------------	--------

Electrical connection

Connector: 1 x M12; coding: A



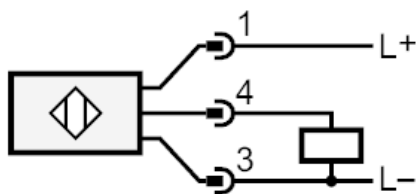
O5E500



Through-beam sensor receiver

O5E-FPKG/US100

Connection



Diagrams and graphs

excess gain graph

