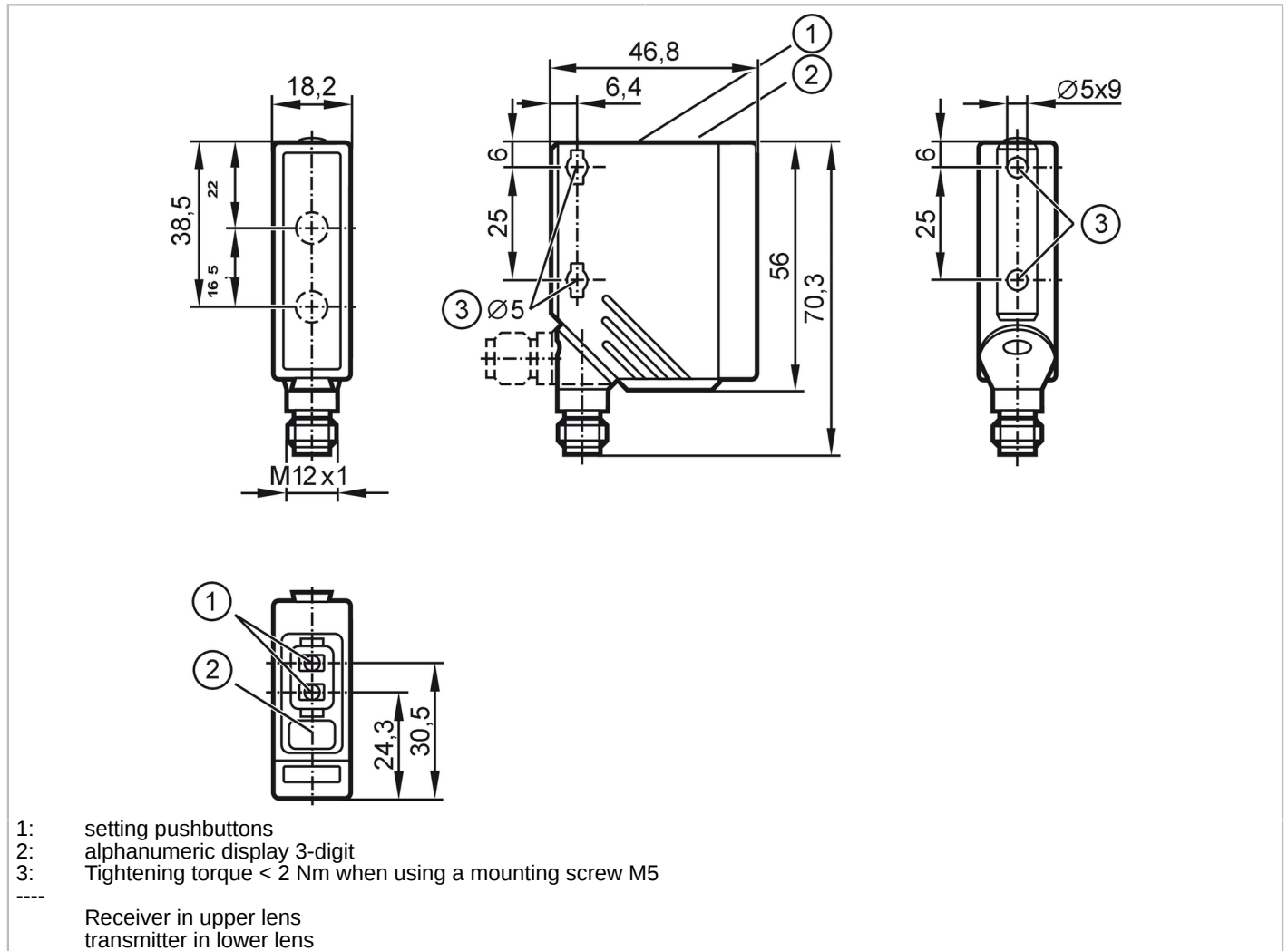


O5D151

Laser distance sensor

O5DLCPKG/US



Product characteristics	
Type of light	red light
Laser protection class	1
Housing	rectangular
Application	
Special feature	Background suppression
Electrical data	
Operating voltage [V]	10...30 DC; (cULus - Class 2 source required)
Current consumption [mA]	< 75; (@ 24 V DC)
Protection class	III
Reverse polarity protection	yes
Type of light	red light
Wave length [nm]	650
Typ. lifetime [h]	50000
Inputs / outputs	
Number of inputs and outputs	Number of digital outputs: 2

O5D151



Laser distance sensor

O5DLCPKG/US

Outputs	
Total number of outputs	2
Electrical design	PNP
Number of digital outputs	2
Output function	normally open / closed; (complementary)
Max. current load per output [mA]	100
Switching frequency DC [Hz]	11
Short-circuit protection	yes
Type of short-circuit protection	yes (non-latching)
Overload protection	yes
Monitoring range	
Max. light spot diameter [mm]	5
Light spot dimensions refer to	2 m
Detection range hysteresis [%]	< 4
Note on monitoring range hysteresis	black 6 % remission
Background suppression available	yes
Background suppression [m]	< 20
Measuring/setting range	
Measuring range [m]	0.03...2
Sampling rate [Hz]	33
Interfaces	
Communication interface	IO-Link
Transmission type	COM2 (38,4 kBaud)
IO-Link revision	1.1
SDCI standard	IEC 61131-9
Profiles	Smart Sensor - SSP 0 Generic Profiled Sensor
	Function Multiple switching signal
	Function Process data variable
SIO mode	yes
Process data analog	1
Process data binary	1
Min. process cycle time [ms]	6.4
Supported DeviceIDs	Type of operation default
	DeviceID 393
Operating conditions	
Ambient temperature [°C]	-25...60
Note on ambient temperature	at $t_a < -10$ °C warm-up is necessary, laser is off
Protection	IP 65; IP 67
Max. immunity to extraneous light [klx]	10; (on the object)
Tests / approvals	
EMC	EN 60947-5-2

O5D151



Laser distance sensor


O5DLCPKG/US

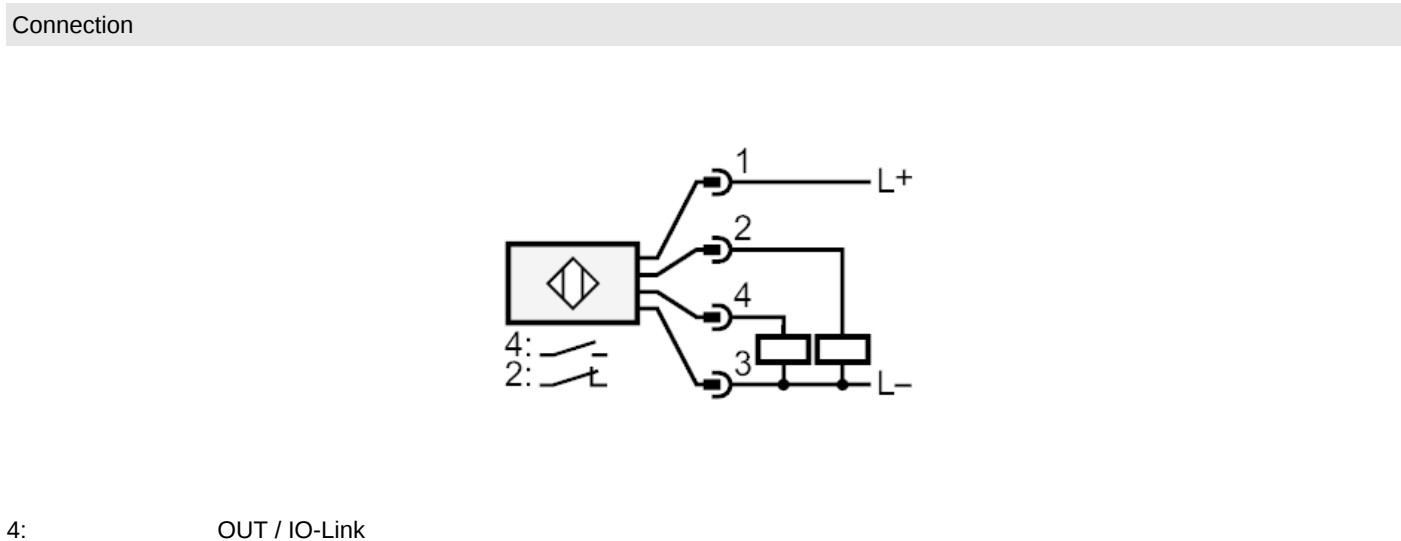
Vibration resistance	DIN EN 60068-2-6	10 g (10...55 Hz) / 120 min. per axis (x, y, z)
Shock resistance	DIN EN 60068-2-27	50 g 6 shocks / 11 ms half-sine (x, y, z)
Laser protection class		1
Notes on laser protection	Caution:	Laser light
	laser class:	1
		EN / IEC60825-1:2007
		EN / IEC60825-1:2014
		Complies with 21 CFR 1040.10 except for conformance with IEC 60825-1 Ed. 3, as described in Laser Notice No. 56, dated May 8, 2019.
MTTF	[years]	151

Mechanical data		
Weight	[g]	84
Housing		rectangular
Dimensions	[mm]	56 x 18.2 x 46.8
Material		housing: PA; Front framework: stainless steel; operator interface: TPU (urethane); lens: PMMA
Lens alignment		Side sensing

Displays / operating elements		
Display	Switching status	LED, yellow Switching output PIN 4
	Power	LED, green
	Display	alphanumeric display, 3-digit
Display unit		inch

Remarks	
Pack quantity	1 pcs.

Electrical connection	
Connector: 1 x M12; coding: A	
	



O5D151



Laser distance sensor

O5DLCPKG/US

Other data

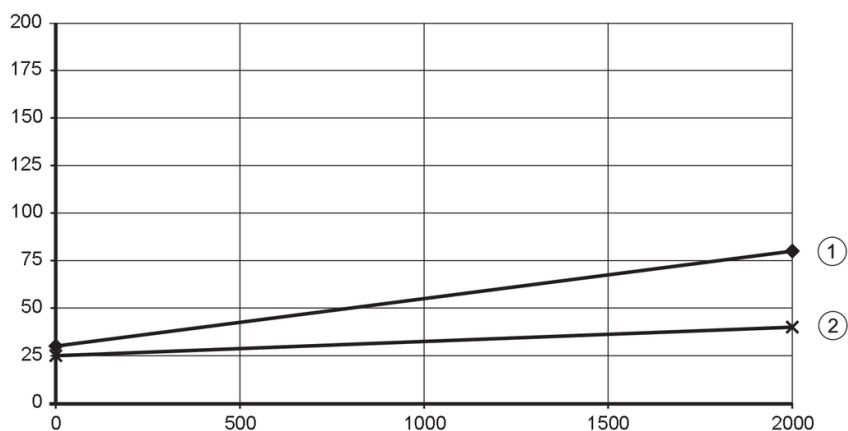
Accuracy

distance	Accuracy			
	black (6 % remission)	white (90 % remission)		
0 mm	± 25 mm	± 25 mm		
500 mm	± 25 mm	± 25 mm		
1000 mm	± 25 mm	± 25 mm		
1500 mm	± 40 mm	± 30 mm		
2000 mm	± 50 mm	± 30 mm		

Extraneous light on the object < 10 klx

Diagrams and graphs

Hysteresis graph



x: distance [mm]

y: Hysteresis [mm]

1 = background black 6 % remission

2 = background white 90 % remission