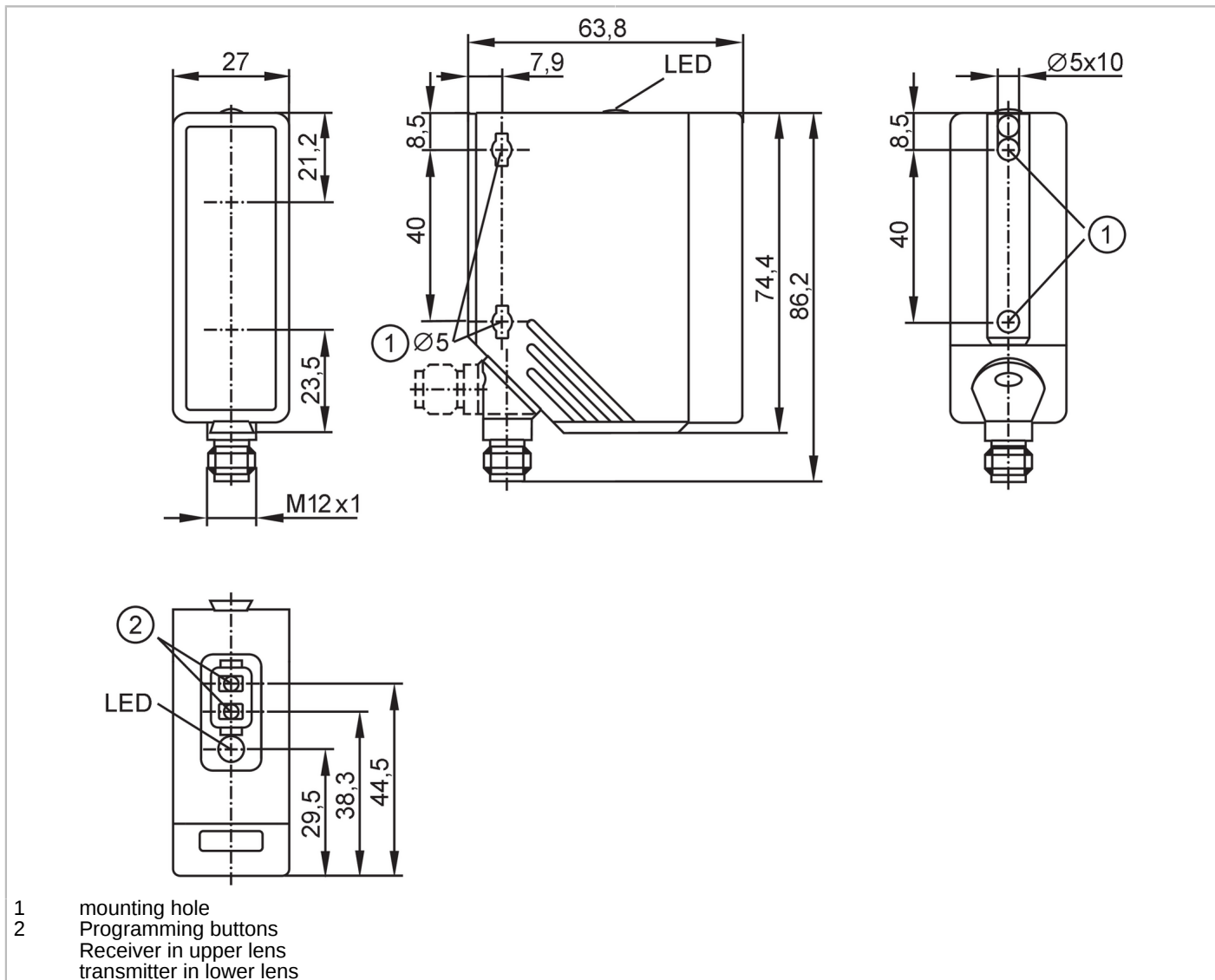


O4P500



Retro-reflective sensor

O4P-FPKG/US100



Product characteristics	
Type of light	red light
Housing	rectangular
Application	
Special feature	polarization filter
Function principle	Retro-reflective sensor
Application	Industrial applications
Electrical data	
Operating voltage [V]	10...36 DC; (cULus - Class 2 source required)
Current consumption [mA]	20
Protection class	II
Reverse polarity protection	yes
Type of light	red light
Wave length [nm]	624

O4P500



Retro-reflective sensor

O4P-FPKG/US100

Outputs		
Electrical design		PNP
Output function		light-on/dark-on mode; (programmable)
Max. voltage drop switching output DC [V]		2.5
Permanent current rating of switching output DC [mA]		200
Switching frequency DC [Hz]		2000
Short-circuit protection		yes
Type of short-circuit protection		yes (non-latching)
Overload protection		yes
Monitoring range		
Range referred to prismatic reflector [m]		0.3...22; (Prismatic reflector Ø 80 E20005)
Range adjustable		yes
Max. light spot diameter [mm]		660
Light spot dimensions refer to		at maximum range
Polarization filter available		yes
Operating conditions		
Ambient temperature [°C]		-25...60
Protection		IP 67
Tests / approvals		
EMC	EN 60947-5-2	
MTTF [years]		434
Mechanical data		
Weight [g]		124.5
Housing		rectangular
Dimensions [mm]		74.4 x 27 x 63.8
Material		operator interface: TPE; housing: PA; Front framework: stainless steel
Lens material		front lens:PMMA
Lens alignment		Side sensing
Mounting hole		
Tightening torque [Nm]		< 2; (when using a mounting screw M5)
Displays / operating elements		
Display	Switching status	1 x LED, yellow
Teach function		yes
Electronic lock		yes
Remarks		
Pack quantity		1 pcs.

O4P500



Retro-reflective sensor

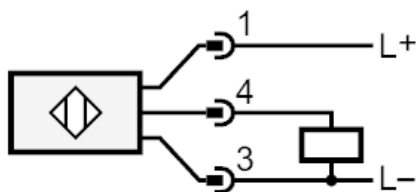
O4P-FPKG/US100

Electrical connection

Connector: 1 x M12; coding: A; Contacts: 4

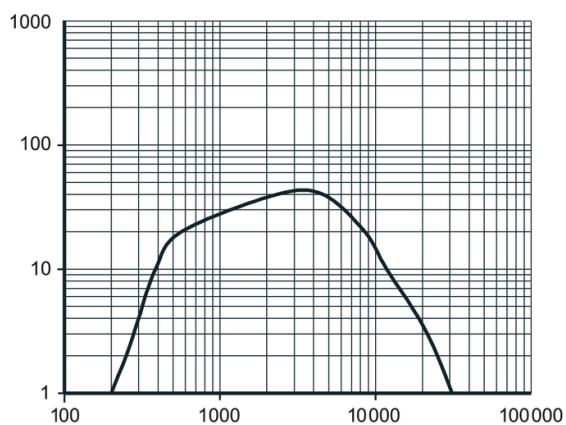


Connection



Diagrams and graphs

excess gain graph



x: Abstand [mm]

y: Funktionsreservfaktor