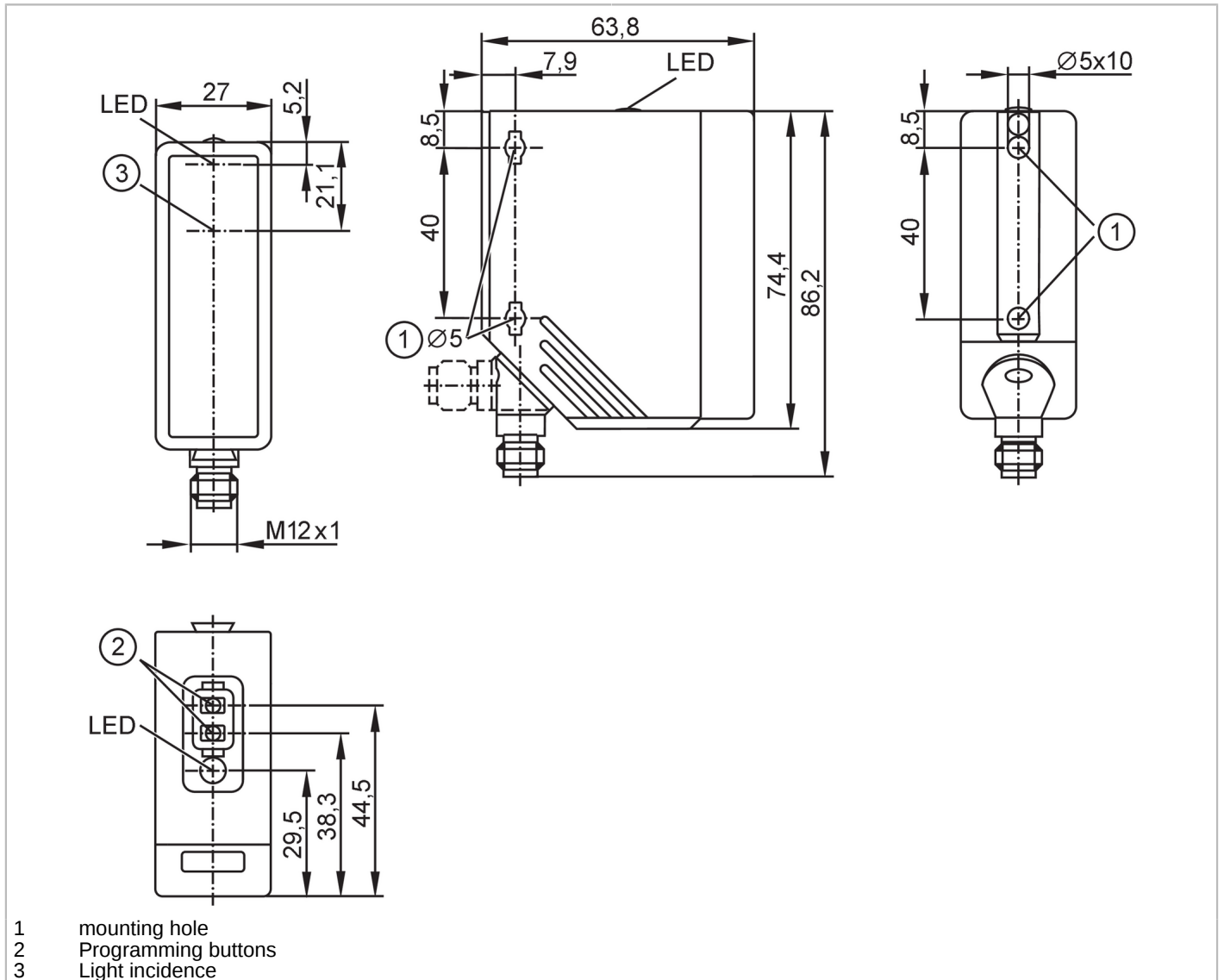


O4E500



Through-beam sensor receiver

O4E-FPKG/US100




Product characteristics	
Type of light	red light
Housing	rectangular
Application	
Function principle	Through-beam sensor
Application	Industrial applications
Electrical data	
Operating voltage [V]	10...36 DC; (cULus - Class 2 source required)
Current consumption [mA]	12
Protection class	II
Reverse polarity protection	yes
Type of light	red light
Wave length [nm]	624

O4E500



Through-beam sensor receiver

O4E-FPKG/US100

Outputs		
Electrical design		PNP
Output function		light-on/dark-on mode; (programmable)
Max. voltage drop switching output DC	[V]	2.5
Permanent current rating of switching output DC	[mA]	200
Switching frequency DC	[Hz]	1000
Short-circuit protection		yes
Type of short-circuit protection		yes (non-latching)
Overload protection		yes
Monitoring range		
Transmitter / receiver		receiver
Range	[m]	0...80
Range adjustable		yes
Operating conditions		
Ambient temperature	[°C]	-25...60
Protection		IP 67
Tests / approvals		
EMC		EN 60947-5-2
MTTF	[years]	785
Mechanical data		
Weight	[g]	110.3
Housing		rectangular
Dimensions	[mm]	74.4 x 27 x 63.8
Material		operator interface: TPE; housing: PA; Front framework: stainless steel
Lens material		front lens:PMMA
Lens alignment		Side sensing
Mounting hole		
Tightening torque	[Nm]	< 2; (when using a mounting screw M5)
Displays / operating elements		
Display	Switching status	1 x LED, yellow
Teach function		yes
Electronic lock		yes
Remarks		
Pack quantity		1 pcs.
Electrical connection		
Connector: 1 x M12; coding: A; Contacts: 4		
		

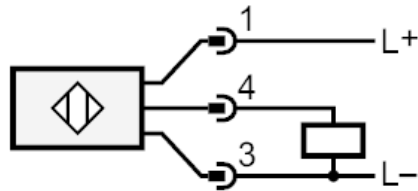
O4E500



Through-beam sensor receiver

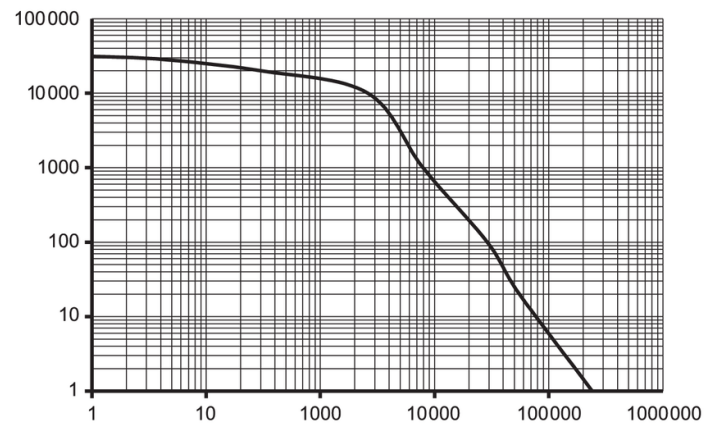
O4E-FPKG/US100

Connection



Diagrams and graphs

excess gain graph



x: Abstand [mm]

y: Funktionsreservfaktor