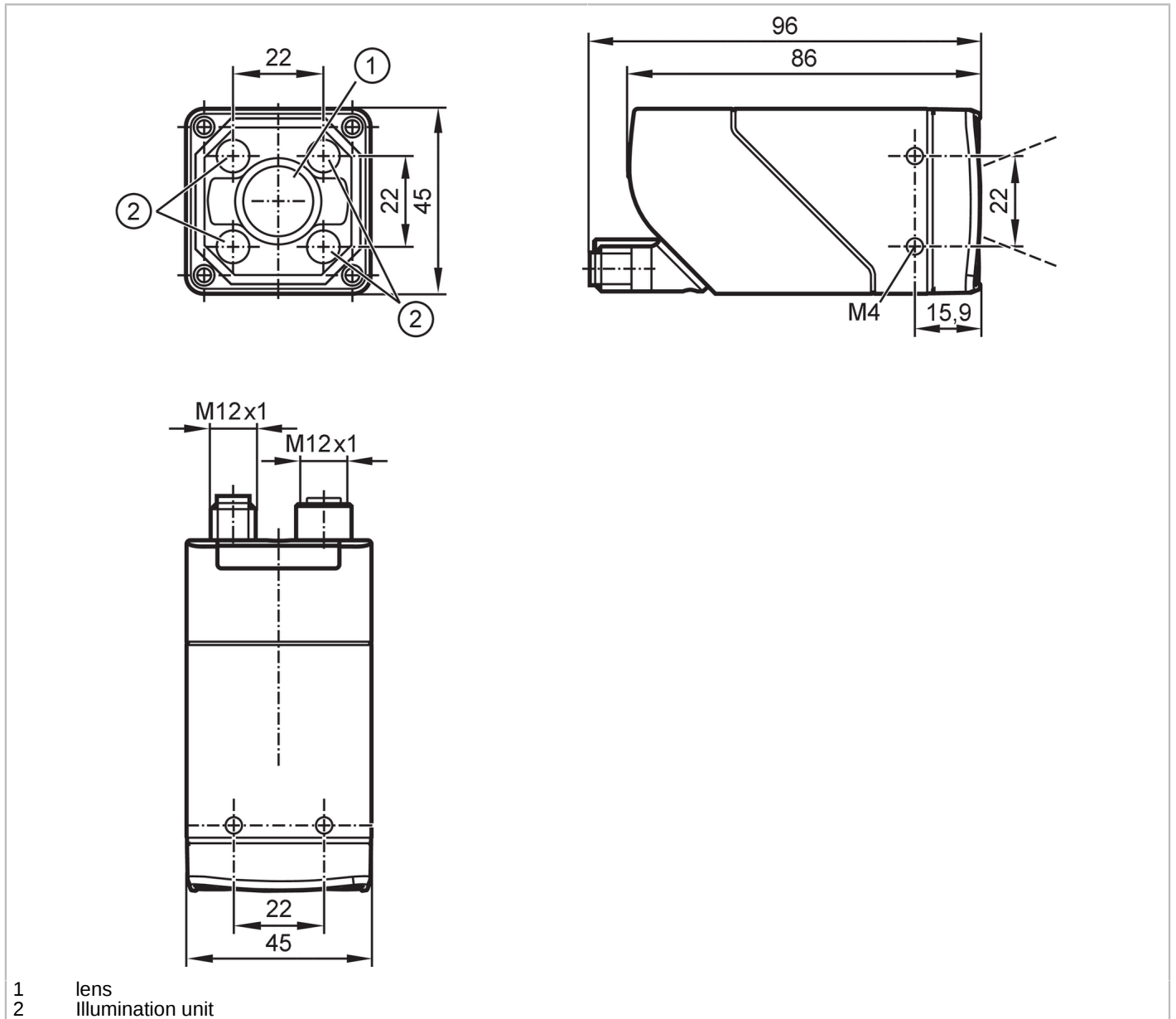


# O2U552



## Object recognition sensor

O2UIRDKG/E1/E2/E4/IO/EF/GM/W/5A



- 1 lens
- 2 Illumination unit



### Product characteristics

Type of light	Infrared light
Image resolution [px]	1280 x 960
Max. reading rate [Hz]	40

### Electrical data

Operating voltage [V]	18...30 DC
Current consumption [mA]	< 380; (18V DC typical)
Max. current consumption [mA]	< 800 (18V DC, with switched outputs, memory stick active )
Protection class	III
Reverse polarity protection	yes
Oversvoltage category	II
Type of light	Infrared light

# O2U552



## Object recognition sensor

O2UIRDKG/E1/E2/E4/IO/EF/GM/W/5A

Wave length	[nm]	850	
Image sensor		CMOS image sensor black/white	
<b>Inputs / outputs</b>			
Number of inputs and outputs		Number of digital outputs: 2	
<b>Inputs</b>			
Trigger		external; 24 V PNP/NPN (IEC 61131-2 Typ 3); TCP/IP; PROFINET; EtherNet/IP; IO-Link; internal	
<b>Outputs</b>			
Electrical design		PNP/NPN; (configurable)	
Number of digital outputs		2; (configurable)	
Output function		configurable	
Max. voltage drop switching output DC	[V]	2	
Max. current load per output	[mA]	100	
Short-circuit protection		yes	
Type of short-circuit protection		yes (non-latching)	
Overload protection		yes	
<b>Monitoring range</b>			
Field of view size	[mm]	distance	Field of view
		15	-
		35	25 x 19
		85	55 x 41
		200	124 x 93
		500	304 x 228
		1000	604 x 453
		2000	1204 x 903
		5000	3004 x 2253
Operating distance	[mm]	> 35	
Image resolution	[px]	1280 x 960	
Lens type		Wide angle	
Readable codes		Interleaved 2-of-5; Industrial 2-of-5; Code 39; Code 93; Code 128; Pharmacode; Codabar; EAN8; EAN8 Add-On 2; EAN8 Add-On 5; EAN13; EAN13 Add-On 2; EAN13 Add-On 5; UPC-A; UPC-A Add-On 2; UPC-A Add-On 5; UPC-E; UPC-E Add-On 2; UPC-E Add-On 5; GS1 DataBar Omnidirectional; GS1 DataBar Truncated; GS1 DataBar Stacked; GS1 DataBar Stacked Omnidirectional; GS1 DataBar Limited; GS1 DataBar Expanded; GS1 DataBar Expanded Stacked; GS1 - 128; MSI Barcode; ECC200; PDF-417; QR; Micro-QR; Aztec Code; GS1 ECC200; GS1 QR Code; GS1 Aztec Code	
Code quality based on			ISO / IEC 15415
			ISO / IEC 15416
			AIM DPM
			ISO/IEC TR 29158
			SEMI T10
Legible fonts		Industrial; Document; OCR-A; OCR-B; Pharma; Semi; Universal; Dot Print	
Text recognition		yes	
Bewegungsgeschwindigkeit	[m/s]	7	
Omnidirectional reading		yes	

# O2U552



## Object recognition sensor

O2UIRDKG/E1/E2/E4/IO/EF/GM/W/5A

Max. inclination to the image plane	[°]	45
Max. reading rate	[Hz]	40

### Software / programming

Parameter setting options	Multi-function button; via PC with ifm Vision Assistant
---------------------------	---

### Interfaces

Communication interface	Ethernet; IO-Link
-------------------------	-------------------

#### Ethernet

Number of Ethernet interfaces	1
Transmission standard	10Base-T; 100Base-TX
Transmission rate	10 MBit/s; 100 MBit/s
Protocol	TCP/IP; PROFINET; EtherNet/IP
Factory settings	IP address: 192.168.0.69 subnet mask: 255.255.255.0 (Class C) gateway IP address: 192.168.0.201 MAC address: see type label
Usage type	Parameter setting; Data transmission

#### IO-Link

Transmission type	COM3 (230,4 kBaud)
IO-Link revision	1.1
Profiles	Common - I&D Function Identification and Diagnosis Function Locator Function ProductURI
Required master port class	A
Min. process cycle time	[ms] 4.2
Supported DeviceIDs	<b>Type of operation</b> default <b>DeviceID</b> 1699

### Operating conditions

Ambient temperature	[°C]	-10...50
Storage temperature	[°C]	-40...70
Max. relative air humidity	[%]	90; (non condensing)
Max. height above sea level	[m]	4000
Protection		IP 65
Degree of soiling		3

### Tests / approvals

EMC	EN IEC 61000-6-4 radiation of interference	industrial environments
	EN IEC 61000-6-2 noise immunity	industrial environments
Shock resistance	EN 60068-2-27	50 g 11 ms / not repetitive
	EN 60068-2-27	40 g 6 ms / repetitive
Vibration resistance	EN 60068-2-6	2 g (10 ... 150 Hz)
Photobiological safety		exempt group; (EN 62471)
Electrical safety	EN IEC 61010-2-201	electrical supply only via PELV circuits
MTTF	[years]	50

# O2U552



## Object recognition sensor

O2UIRDKG/E1/E2/E4/IO/EF/GM/W/5A


UL approval	Ta	-10...50 °C
	Enclosure type	1
	voltage supply	Limited Energy
	File number UL	E364788

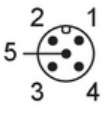
Mechanical data	
Weight [g]	599.5
Type of mounting	screw mounting; (bore hole M4 x 7mm)
Dimensions [mm]	45 x 45 x 86
Material	housing: diecast zinc powder-coated; front lens: Gorillaglas; LED window: PC; pushbuttons: POM
Sealing material	FKM
Tightening torque [Nm]	2.1

Displays / operating elements		
Display	Function	2 x LED, green
	Function	2 x LED, yellow
	Multi-function button	2 x LED, green/yellow
Operating elements	1	Multi-function button

Accessories	
Accessories (optional)	Mounting accessories Protective panes

Remarks	
Pack quantity	1 pcs.

Electrical connection - Ethernet	
Connector: 1 x M12; coding: D; Moulded body: stainless steel; sealing: FKM	
	
1	TxD+
2	RxD+
3	TxD-
4	RxD-

Electrical connection - supply	
Connector: 1 x M12; coding: A; Moulded body: stainless steel	
	
1	U+
2	trigger input
3	0 V
4	Switching output 1 configurable / IO-Link
5	Switching output 2 configurable / trigger output with external illumination