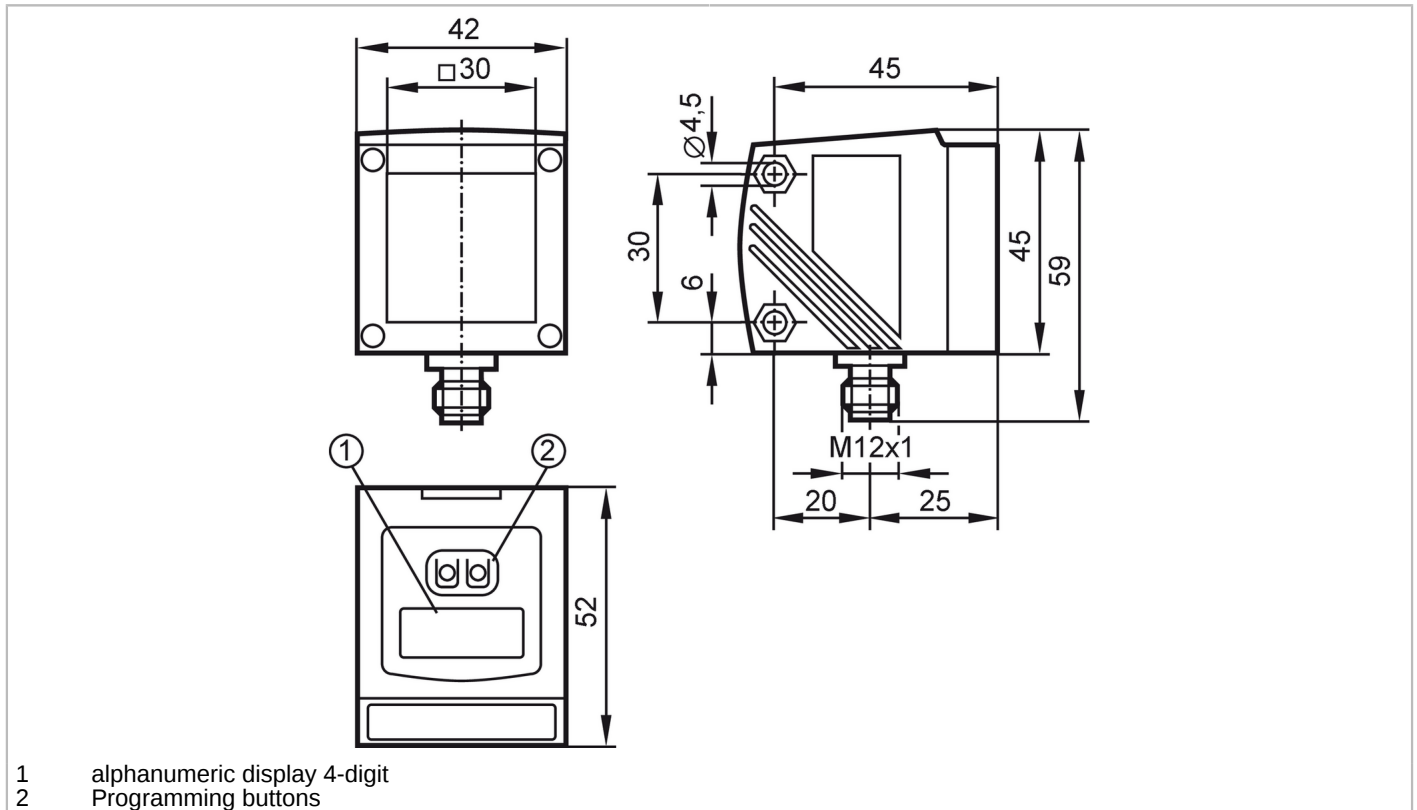


O1D104



Laser distance sensor

O1DLFNKG/IO-LINK



Product characteristics	
Laser protection class	2
Housing	rectangular
Application	
Special feature	Background suppression
Application	Industrial applications
Electrical data	
Operating voltage [V]	18...30 DC
Current consumption [mA]	< 150
Protection class	III
Reverse polarity protection	yes
Typ. lifetime [h]	50000
Inputs / outputs	
Number of inputs and outputs	Number of digital outputs: 1
Outputs	
Total number of outputs	1
Electrical design	NPN
Number of digital outputs	1
Output function	normally open / closed; (programmable)
Max. current load per output [mA]	200
Short-circuit protection	yes

O1D104



Laser distance sensor

O1DLFNKG/IO-LINK

Type of short-circuit protection	yes (non-latching)	
Overload protection	yes	
Monitoring range		
Max. light spot diameter [mm]	25	
Light spot dimensions refer to	10 m	
Background suppression available	yes	
Background suppression [m]	10...100	
Measuring/setting range		
Measuring range [m]	0.2...10; (white paper 200 x 200 mm 90 % remission)	
Sampling rate [Hz]	5	
Interfaces		
Communication interface	IO-Link	
Transmission type	COM2 (38,4 kBaud)	
IO-Link revision	1.1	
Profiles	Smart Sensor - SSP 0	Generic Profiled Sensor
	Function	Device identification
	Function	Process data variable
	Function	Device diagnosis
	Function	Teach channel
SIO mode	yes	
Required master port class	A	
Process data analog	2	
Process data binary	1	
Min. process cycle time [ms]	5	
Supported DeviceIDs	Type of operation	DeviceID
	default	807
Operating conditions		
Ambient temperature [°C]	-10...60	
Protection	IP 67	
Tests / approvals		
Laser protection class	2	
Notes on laser protection	Caution:	Laser light
	Power:	<= 4,0 mW
	Wave length:	650 nm
	pulse:	1,3 ns
	Do not stare into beam.	
	Avoid exposure to the laser light.	
	laser class:	2
		EN / IEC60825-1:2007
		EN / IEC60825-1:2014
		Complies with 21 CFR 1040.10 except for conformance with IEC 60825-1 Ed. 3, as described in Laser Notice No. 56, dated May 8, 2019.
MTTF [years]	106	

O1D104



Laser distance sensor

O1DLFNKG/IO-LINK

Mechanical data

Weight	[g]	285.5
Housing		rectangular
Dimensions	[mm]	59 x 42 x 52
Material		housing: diecast zinc; front lens: glass; LED window: PC

Displays / operating elements

Display	Switching status	LED, yellow
	Power	LED, green
	Distance, programming	alphanumeric display, 4-digit

Accessories

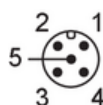
Accessories (optional)	Protective cover, E21133
------------------------	--------------------------

Remarks

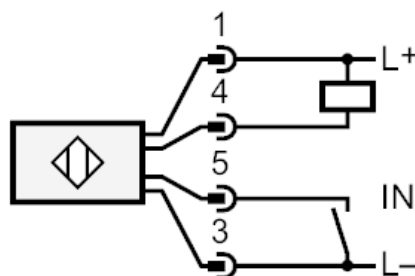
Remarks	cULus - Class 2 source required
Pack quantity	1 pcs.

Electrical connection

Connector: 1 x M12; coding: A; Contacts: 5



Connection



- 4 OUT1 switching output or IO-Link
- 5 Laser On/ Off