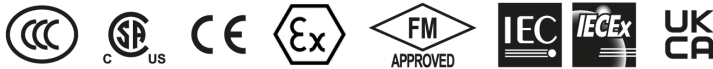
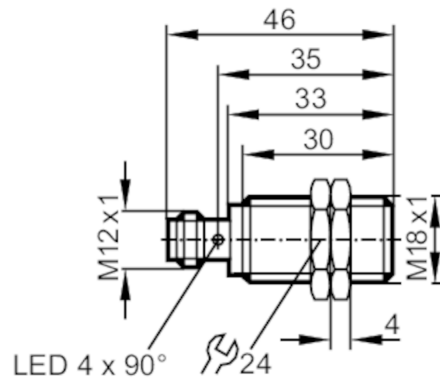


NG501A



Inductive NAMUR sensor

IGB2008BN/US/1G/1D



Product characteristics

Electrical design		NAMUR
Output function		normally closed
Sensing range	[mm]	8
Housing		Threaded type
Dimensions	[mm]	M18 x 1 / L = 46

Electrical data

Connection at circuit amplifier		yes
Switching amplifiers		connection to certified intrinsically safe circuits with the max. values: U = 15 V / I = 50 mA / P = 120 mW
Nominal voltage DC	[V]	8.2; (1k Ω)
Supply voltage DC	[V]	7.5...30; (when used outside the hazardous area)
Current consumption	[mA]	< 1; (disabled; conductive: > 2,1)
Protection class		II

Outputs

Electrical design		NAMUR
Output function		normally closed
Permanent current rating of switching output DC	[mA]	30; (when used outside the hazardous area)
Switching frequency DC	[Hz]	400

Monitoring range

Sensing range	[mm]	8
Real sensing range Sr	[mm]	8 \pm 10 %
Operating distance	[mm]	0...6.48

Accuracy / deviations

Correction factor		steel: 1 / stainless steel: 0.7 / brass: 0.5 / aluminum: 0.4 / copper: 0.3
Hysteresis	[% of Sr]	1...15
Switch-point drift	[% of Sr]	-10...10

Operating conditions

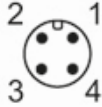
Ambient temperature	[°C]	-20...70
---------------------	------	----------

NG501A



Inductive NAMUR sensor

IGB2008BN/US/1G/1D

Protection	IP 66; IP 67	
Tests / approvals		
Approval	BVS 04 ATEX E 091 X; IECEx BVS 06.0003	
ATEX marking	II 1G Ex ia IIC T6 Ga	
	II 1D Ex ia IIIC T 90°C Da	
EMC	EN 60947-5-6	
Shock/vibration resistance	30 g (11 ms) / 10-55 Hz (1 mm)	
MTTF [years]	3387	
Safety classification		
Max. internal capacitance [nF]	200	
Max. internal inductance [µH]	190	
Mechanical data		
Weight [g]	90	
Housing	Threaded type	
Mounting	flush mountable	
Dimensions [mm]	M18 x 1 / L = 46	
Thread designation	M18 x 1	
Material	brass special coating; sensing face: PBT; LED window: PA	
Displays / operating elements		
Display	Switching status	4 x 90° LED, yellow
Accessories		
Items supplied	lock nuts: 2	
Remarks		
Pack quantity	1 pcs.	
Electrical connection - plug		
Connector: 1 x M12; coding: A		
		

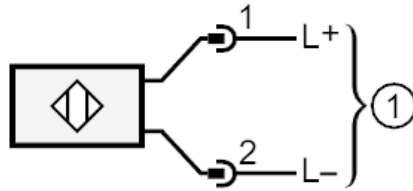
NG501A



Inductive NAMUR sensor

IGB2008BN/US/1G/1D

Connection



1 = connection to NAMUR-amplifier