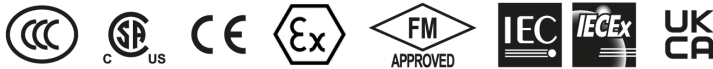
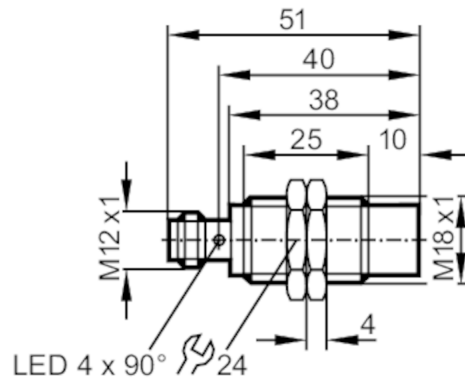


NG500A



Inductive NAMUR sensor

IGB2012-N/US/1G/1D



Product characteristics

Electrical design		NAMUR
Output function		normally closed
Sensing range	[mm]	12
Housing		Threaded type
Dimensions	[mm]	M18 x 1 / L = 51

Electrical data

Connection at circuit amplifier		yes
Switching amplifiers		connection to certified intrinsically safe circuits with the max. values: U = 15 V / I = 50 mA / P = 120 mW
Nominal voltage DC	[V]	8.2; (1kΩ)
Supply voltage DC	[V]	7.5...30; (when used outside the hazardous area)
Current consumption	[mA]	< 1; (disabled; conductive: > 2,1)
Protection class		II

Outputs

Electrical design		NAMUR
Output function		normally closed
Permanent current rating of switching output DC	[mA]	30; (when used outside the hazardous area)
Switching frequency DC	[Hz]	300

Monitoring range

Sensing range	[mm]	12
Real sensing range Sr	[mm]	12 ± 10 %

Accuracy / deviations

Correction factor		steel: 1 / stainless steel: 0.7 / brass: 0.5 / aluminum: 0.4 / copper: 0.3
Hysteresis	[% of Sr]	1...15
Switch-point drift	[% of Sr]	-10...10

Operating conditions

Ambient temperature	[°C]	-20...70
Protection		IP 67

NG500A



Inductive NAMUR sensor

IGB2012-N/US/1G/1D

Tests / approvals	
Approval	BVS 04 ATEX E 091 X; IECEx BVS 06.0003
ATEX marking	Ex II 1G Ex ia IIC T6 Ga
	Ex II 1D Ex ia IIIC T 90°C Da
EMC	EN 60947-5-6
Shock/vibration resistance	30 g (11 ms) / 10-55 Hz (1 mm)
MTTF [years]	3387

Safety classification	
Max. internal capacitance [nF]	200
Max. internal inductance [μ H]	85

Mechanical data	
Weight [g]	90
Housing	Threaded type
Mounting	non-flush mountable
Dimensions [mm]	M18 x 1 / L = 51
Thread designation	M18 x 1
Material	brass special coating; sensing face: PBT; LED window: PA

Displays / operating elements		
Display	Switching status	4 x 90° LED, yellow

Accessories	
Items supplied	lock nuts: 2

Remarks	
Pack quantity	1 pcs.

Electrical connection - plug

Connector: 1 x M12; coding: A



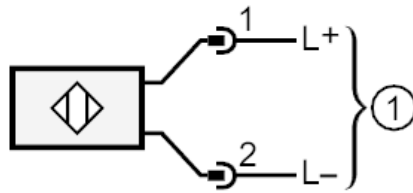
NG500A



Inductive NAMUR sensor

IGB2012-N/US/1G/1D

Connection



1 = connection to NAMUR-amplifier