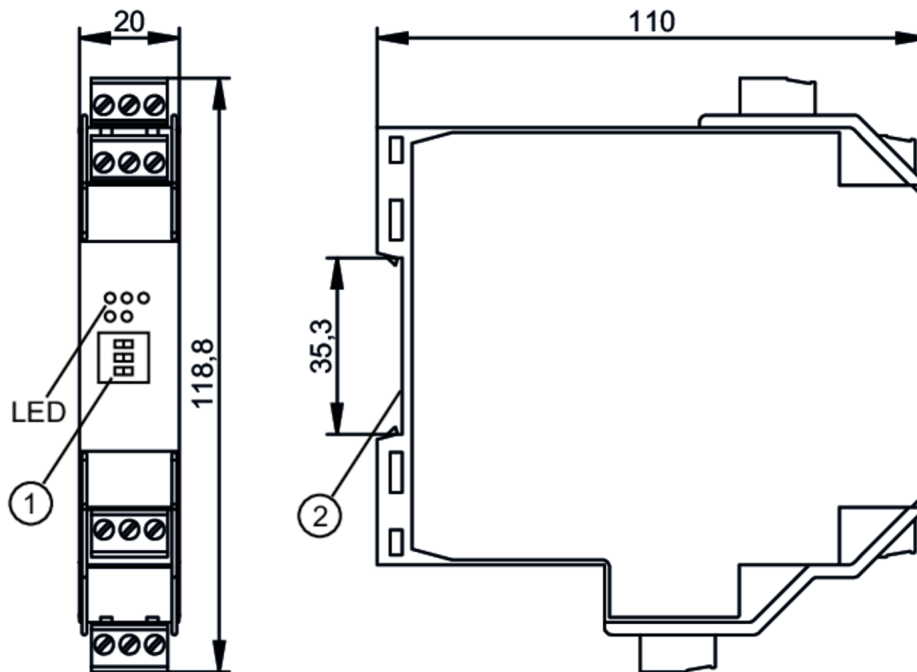


# N0539A



## Switching amplifiers for Namur sensors

NV1222/24VDC/TR/1D/1G



- 1 selector switch
- 2 Mounting on DIN rail



Product characteristics	
Number of inputs and outputs	Number of digital outputs: 2
Application	
Design	housing for DIN rail mounting
Application	short-circuit monitoring; Wire break monitoring
Electrical data	
Operating voltage tolerance [%]	-15...25
Operating voltage [V]	24 DC
Current consumption [mA]	< 50
Number of channels	2
Inputs / outputs	
Number of inputs and outputs	Number of digital outputs: 2
Outputs	
Electrical design	PNP
Number of digital outputs	2
Max. voltage drop switching output DC [V]	3.5
Max. current load per output [mA]	100
Switching frequency DC [Hz]	5000
Short-circuit proof	yes

# N0539A



## Switching amplifiers for Namur sensors

NV1222/24VDC/TR/1D/1G

Operating conditions		
Ambient temperature	[°C]	-20...60
Protection		IP 20
Tests / approvals		
Approval		FIDI 20 ATEX 0022X; IECEx FIDI 20.0003X
ATEX marking		Ⓔ II 3 (1) G Ex nA [ia Ga] IIC T4 Gc
		Ⓔ II (1) D [Ex ia Da] IIIC
		Ⓔ I (M1) [Ex ia Ma] I
EMC		NE 21 (2012)
		EN 61326-3-2 (2008)
MTTF	[years]	345
Mechanical data		
Weight	[g]	198.4
Type of mounting		Mounting on DIN rail; (TH35 (EN 60715))
Dimensions	[mm]	118.8 x 20 x 110
Displays / operating elements		
Display	Switching status	2 x LED, yellow
	Power	LED, green
	Function	2 x LED, red
Remarks		
Remarks		Caution The switching amplifier has to be mounted according to the requirements of the operating instructions
		Free terminals must not be used.
Pack quantity		1 pcs.

# N0539A



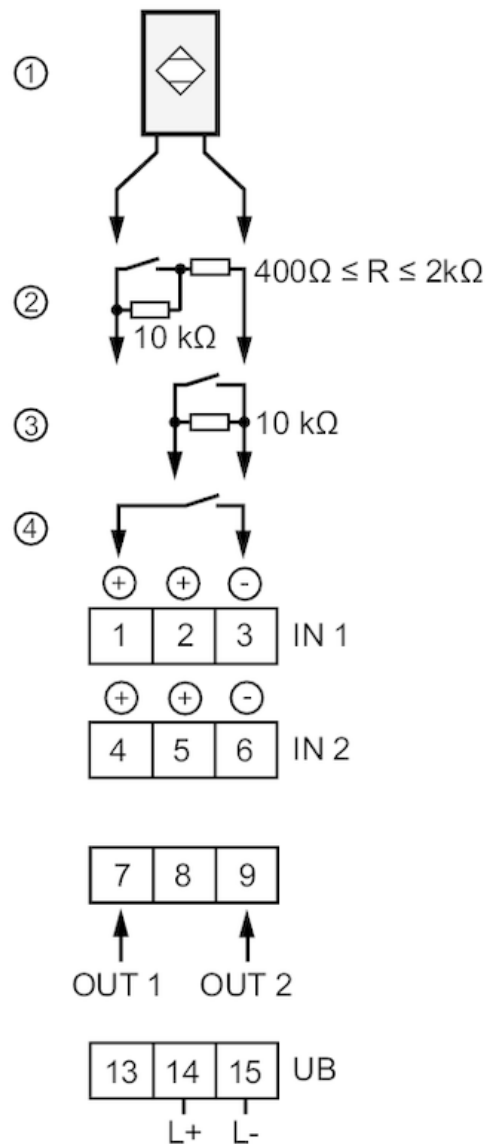
## Switching amplifiers for Namur sensors

NV1222/24VDC/TR/1D/1G

### Electrical connection

terminals: ...2.5 mm<sup>2</sup>

### Connection



# N0539A



## Switching amplifiers for Namur sensors

NV1222/24VDC/TR/1D/1G

### Other data

#### Maximum values for control circuit

in protection rating intrinsic safety	[Ex ia Ga] IIC	[Ex ia Ga] IIB	[Ex ia Ga] IIA	[Ex ia Ma] I
Voltage [V]	10.5	10.5	10.5	10.5
Current [mA]	17.1	17.1	17.1	17.1
Power [mW]	45	45	45	45
External inductance [mH] or Lo/Ro [mH/Ω]	121.5	486.3	972.7	1000
External capacitance [μF]	2.41	16.8	75	95