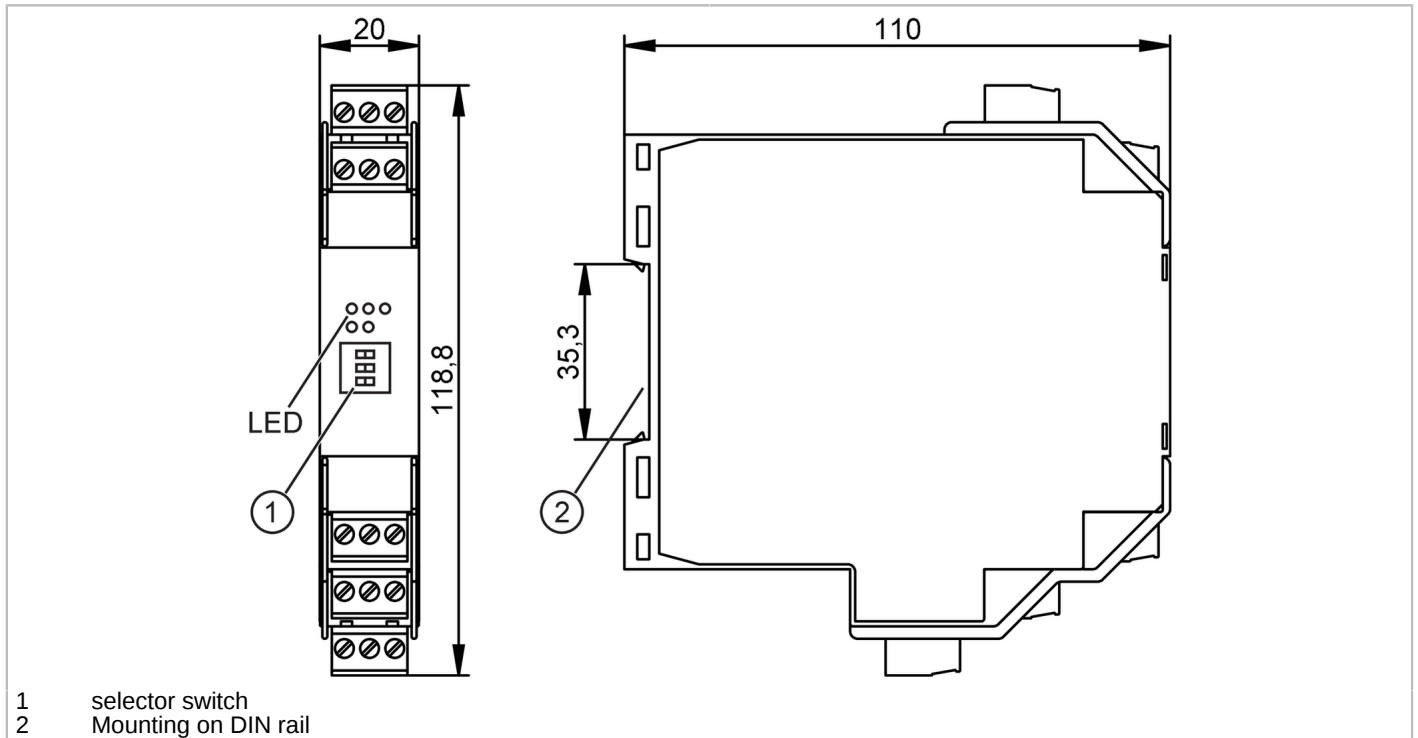


# N0533A



## Switching amplifiers for Namur sensors

NV1221/24VDC/RL/1D/1G



Application	
Design	housing for DIN rail mounting
Application	short-circuit monitoring; Wire break monitoring
Electrical data	
Operating voltage tolerance [%]	-15...25
Operating voltage [V]	24 DC
Current consumption [mA]	< 50
Number of channels	2
Outputs	
Electrical design	Relay; (per channel: 1 changeover contact configurable)
Contact rating	253 V AC / 2 A / cos phi > 0,7 // 40 V DC / 2 A; (resistive load)
Switching frequency DC [Hz]	10
Operating conditions	
Ambient temperature [°C]	-20...60
Protection	IP 20
Tests / approvals	
Approval	PTB 02 ATEX 2036; IECEx PTB 17.0024
ATEX marking	Ex II (1) G [Ex ia Ga] IIC
	Ex II (1) D [Ex ia Da] IIIC
EMC	EN 50081-2 (1993)
	EN 61326-1 (2006)
MTTF [years]	325

# N0533A



## Switching amplifiers for Namur sensors

NV1221/24VDC/RL/1D/1G

Mechanical data		
Weight	[g]	188.45
Housing		rectangular
Type of mounting		Mounting on DIN rail; (TH35 (EN 60715))
Dimensions	[mm]	118.8 x 20 x 110
Switching cycles mechanical		10 million
Displays / operating elements		
Display	Switching status	2 x LED, yellow
	Power	LED, green
	Function	2 x LED, red
Remarks		
Remarks	Caution The control monitor must be mounted outside the hazardous area. Free terminals must not be used.	
Pack quantity	1 pcs.	

# N0533A



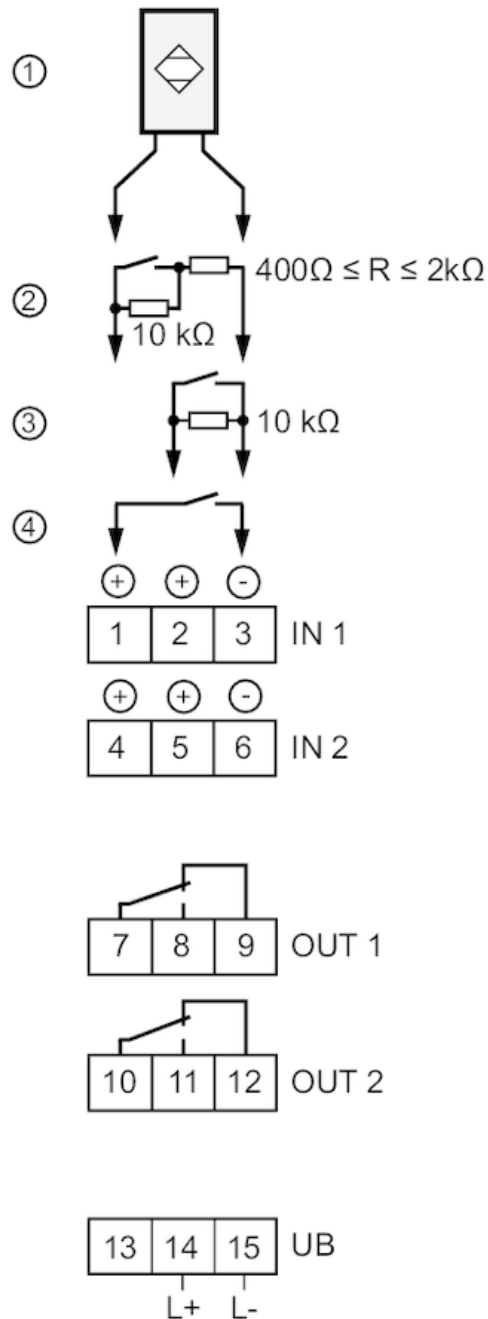
## Switching amplifiers for Namur sensors

NV1221/24VDC/RL/1D/1G

### Electrical connection

terminals: ...2.5 mm<sup>2</sup>

### Connection



# N0533A



## Switching amplifiers for Namur sensors

NV1221/24VDC/RL/1D/1G

### Other data

#### Maximum values for control circuit

in protection rating intrinsic safety	[EEx ia] IIC	[EEx ia] IIB	[EEx ib] IIC	[EEx ib] IIB
Voltage [V]	10.5	10.5	10.5	10.5
Current [mA]	13	13	13	13
Power [mW]	34	34	34	34
External inductance [mH]	210	840	210	840
External capacitance [ $\mu$ F]	2.41	16.8	2.41	16.8