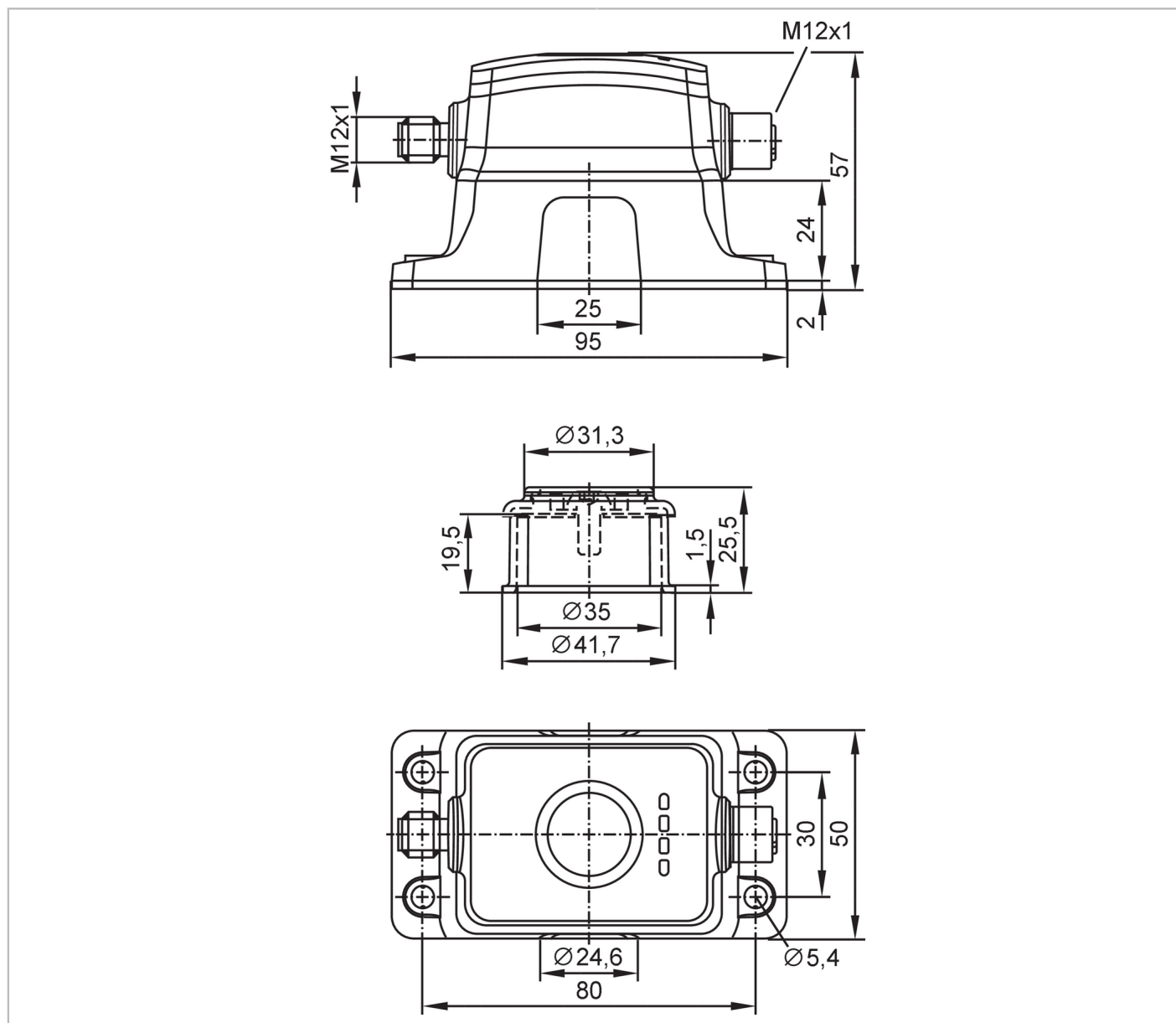


MVQ301



Positioner for industrial valves

MVQ3360-XRKG/IO/B-Port/2SV/US



Product characteristics	
Communication interface	IO-Link
Housing	rectangular
Dimensions [mm]	95 x 50 x 57
Solenoid valve connection (SV1 / SV2)	
Electrical design	PNP
Output function	2 x normally open
Application	
Principle of operation	magnetic
Application	angle of rotation detection absolute; position control
Electrical data	
Protection class	III

MVQ301



Positioner for industrial valves

MVQ3360-XRKG/IO/B-Port/2SV/US

Reverse polarity protection		yes
Max. power-on delay time	[ms]	300
Actuator supply (UA)		
Operating voltage	[V]	20...30 DC
Current consumption	[mA]	< 410
Sensor supply (US)		
Operating voltage	[V]	20...30 DC
Current consumption	[mA]	< 40
Outputs		
Solenoid valve connection (SV1 / SV2)		
Electrical design		PNP
Output function		2 x normally open
Max. current load per output	[mA]	200
Short-circuit protection		yes
Overload protection		yes
Monitoring range		
Monitoring range	[°]	360
Accuracy / deviations		
Rotational angle detection		
Accuracy	[°]	± 1
Temperature drift	[°/K]	0,02
Repeatability	[°]	0,1
Position control		
Deadband		0,5...25 % (Factory setting: 2 %)
Resolution	[%]	0,1; (preset value)
Switch point indication		
Hysteresis	[%]	0.4...10; (Factory setting: 1 %)
Open		1...100 % (Factory setting: 95 %)
Closed		0,0...99,0 % (Factory setting: 5 %)
Interfaces		
Communication interface		IO-Link
Transmission type		COM2 (38,4 kBaud)
IO-Link revision		1.1
SDCI standard		IEC 61131-9 CDV
Profiles	BLOB	Binary Large Object transfer
	Common - I&D	Identification and Diagnosis
	Function	Locator
	Function	ProductURI
SIO mode		no
Required master port class		B
Min. process cycle time	[ms]	6
Supported DeviceIDs	Type of operation	DeviceID
	default	1775

MVQ301



Positioner for industrial valves

MVQ3360-XRKG/IO/B-Port/2SV/US

Operating conditions		
Ambient temperature	[°C]	-25...70
Storage temperature	[°C]	-40...70
Protection		IP 65; IP 67; (Target puck area dust-protected)
Tests / approvals		
EMC	EN 61000-4-2	4 kV CD / 8 kV AD
	EN 61000-4-3	10 V/m
	EN 61000-4-4	2 kV
	EN 61000-4-6	10 V
	EN 55011	class B
Vibration resistance	EN 60068-2-6 Fc	1 mm (10...55 Hz) / 1 octave per minute in 3 axes
Shock resistance	EN 60068-2-27 Ea	30 g 11 ms half-sine; 6 shocks each in every direction along the three coordinate axes
MTTF	[years]	421
Embedded software included		yes
UL approval	Ta	-20...70 °C
	Enclosure type	Type 1
	voltage supply	Limited Voltage/Current
	UL approval number	S003
	File number UL	E174191
Mechanical data		
Weight	[g]	188.8
Housing		rectangular
Dimensions	[mm]	95 x 50 x 57
Material		housing: PA; target puck: PA; plug: stainless steel (316L / 1.4404); Socket: stainless steel (316L / 1.4404)
Tightening torque	[Nm]	target puck: 1,2; housing: 3,0; housing on plastic mounting plate: 1,5
Displays / operating elements		
Display	Power	1 x LED, green
	Switching status	3 x LED, white
	Switching status	1 x LED, RGB
Accessories		
Items supplied		socket head screws: 4 x (M5 x 16 mm), stainless steel
Remarks		
Pack quantity		1 pcs.
Electrical connection		
Electrical connection - Single solenoid valve		
Connector: 1 x M12; coding: A		
2	Out SV2	
3	GND SV = L - (UA)	
4	Out SV1	

MVQ301

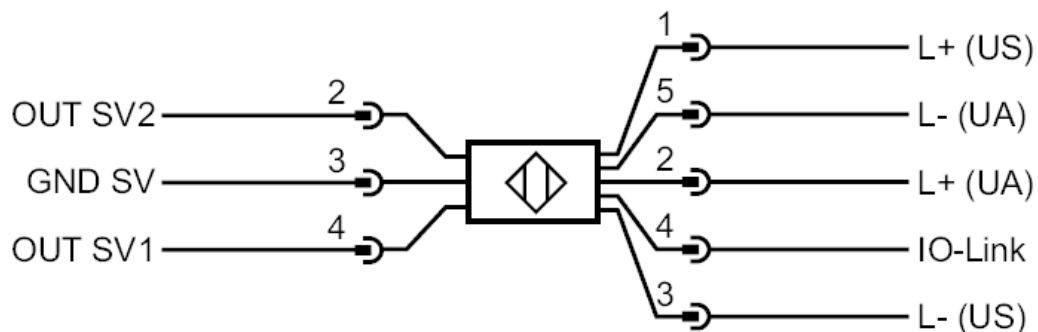


Positioner for industrial valves

MVQ3360-XRKG/IO/B-Port/2SV/US

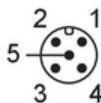
Electrical connection

Connection



Electrical connection - Process connection

Connector: 1 x M12; coding: A



1	L+ (US)
5	L- (UA)
2	L+ (UA)
4	IO-Link
3	L- (US)