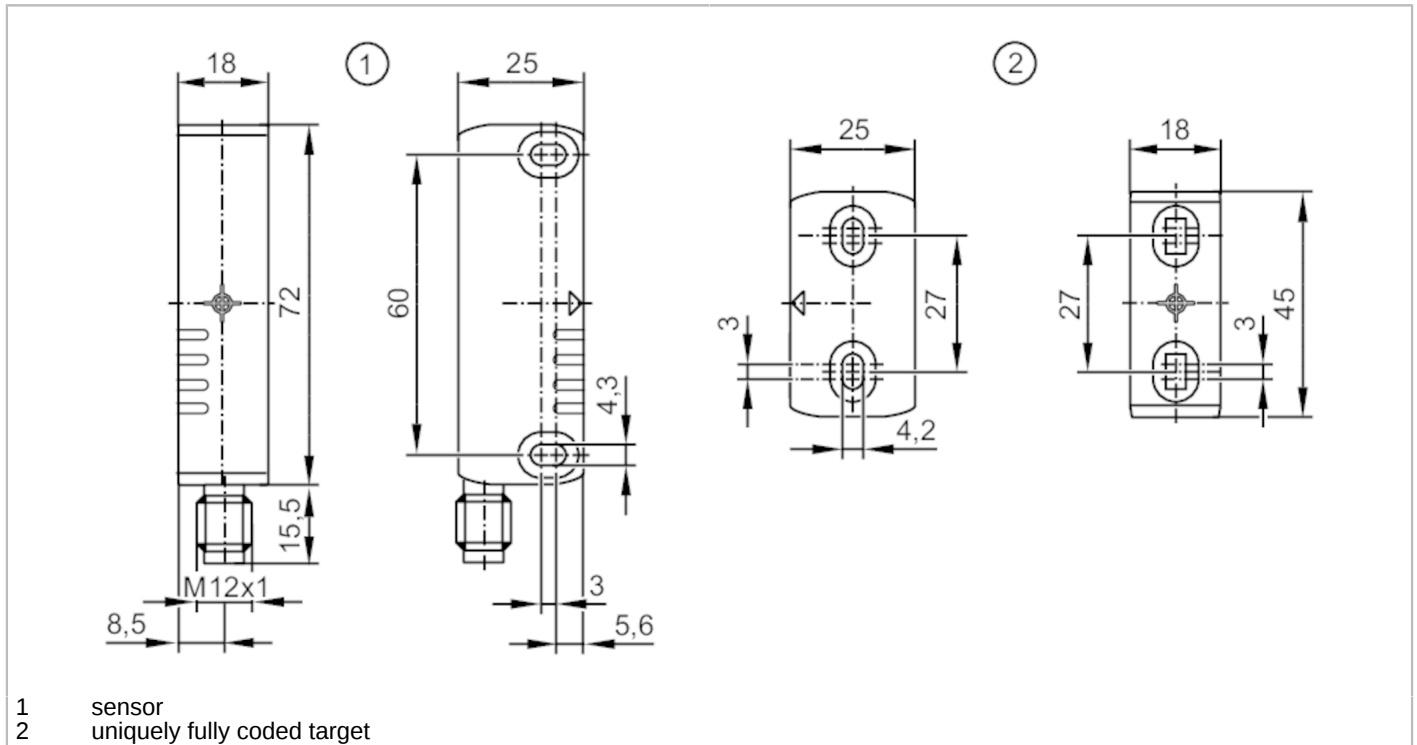


MN701S



RFID-coded safety sensor

MN38010-BPKG/UC/US



Product characteristics

Electrical design	PNP
Output function	2 x OSSD, 1 x PNP
Sensing range [mm]	12; (with defined actuator)
Housing	rectangular
Dimensions [mm]	72 x 18 x 25

Application

Design	uniquely fully coded target
Type of operation	permanent operation
Radio approval for	USA; Canada; Australia; EU/RED; China; Singapore
Note on radio approval	The list of countries applying the European Radio Equipment Directive 2014/53/EU (RED) can be found under "Downloads".

Electrical data

Operating voltage [V]	20.4...26.4 DC
Rated insulation voltage [V]	32
Operating current [mA]	40...700
No-load current [mA]	30
Current consumption [mA]	< 50
Protection class	III
Reverse polarity protection	yes
Max. power-on delay time [ms]	1500

RFID

Operating frequency [MHz]	0,125
---------------------------	-------

MN701S



RFID-coded safety sensor

MN38010-BPKG/UC/US

Transmission power ERP	[mW]	0.0002245
------------------------	------	-----------

Outputs

Electrical design		PNP
Output function		2 x OSSD, 1 x PNP
Max. leakage current	[mA]	0.5
Permanent current rating of switching output DC	[mA]	50
Switching frequency DC	[Hz]	1
Output data		interface type C class 2
Short-circuit protection		yes
Overload protection		yes
Max. capacitive load CL_max	[nF]	200

Monitoring range

Sensing range	[mm]	12; (with defined actuator)
Safe switching-off distance s(ar)	[mm]	16

Accuracy / deviations

Hysteresis	[%]	20
Repeatability analog output	[%]	≤ 10; (% Sn)

Reaction times

Response time to safety request	[ms]	160
Response time when approaching the enable zone	[ms]	600

Operating conditions

Applications		Class C to EN 60654-1 weatherproof application
Ambient temperature	[°C]	-25...70
Note on ambient temperature		operational life ≤ 87600 h
Ambient temperature	[°C]	10...40
Note on ambient temperature		operational life ≤ 175200 h
Max. relative air humidity	[%]	briefly: 5...95 %; permanent: 5...70 %
Air pressure	[kPa]	80...106
Max. height above sea level	[m]	2000
Ionizing radiation		not permissible
Salt spray		no
Protection		IP 65; IP 67

Tests / approvals

EMC	IEC 60947-5-3	
Shock resistance	EN 60068-2-27	30 g (11 ms)
Vibration resistance	IEC 60068-2-6	10 g (10...55 Hz)

Safety classification

Complies with the requirements		ISO 13849-1: 2015 Category 4, PL e IEC 62061 SIL 3
Mission time TM	[h]	≤ 175200
Mission time TM (additional indication)		20 years

MN701S



RFID-coded safety sensor

MN38010-BPKG/UC/US

PFH [1/h] 1,5E-09

Mechanical data

Weight [g]	176.5
Housing	rectangular
Mounting	non-flush mountable
Dimensions [mm]	72 x 18 x 25
Material	PA
Tightening torque [Nm]	0.8...2

Displays / operating elements

Display	Function	1 x LED, (ACT)
	Input	1 x LED, (IN)
	Output	1 x LED, (OUT)
	Power	1 x LED, (PWR)

Accessories

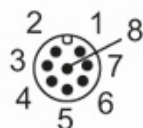
Items supplied	uniquely fully coded target
	washers: 4
	cover caps: 8

Remarks

Pack quantity 1 pcs.

Electrical connection - plug

Connector: 1 x M12; coding: A; Moulded body: stainless steel (1.4301 / 304)



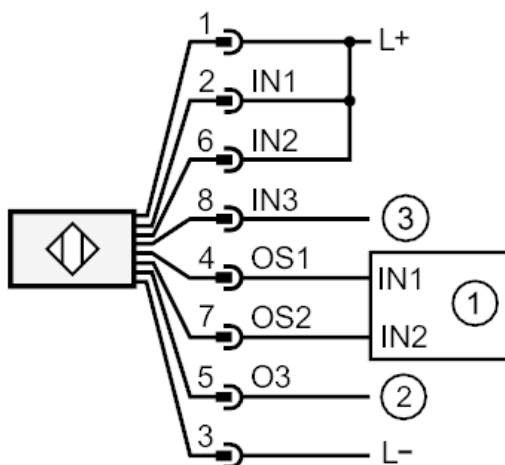
MN701S



RFID-coded safety sensor

MN38010-BPKG/UC/US

Connection



- 1: Safety-related logic unit
- 2: Programmable Logic Controller (PLC)
- 3: not used