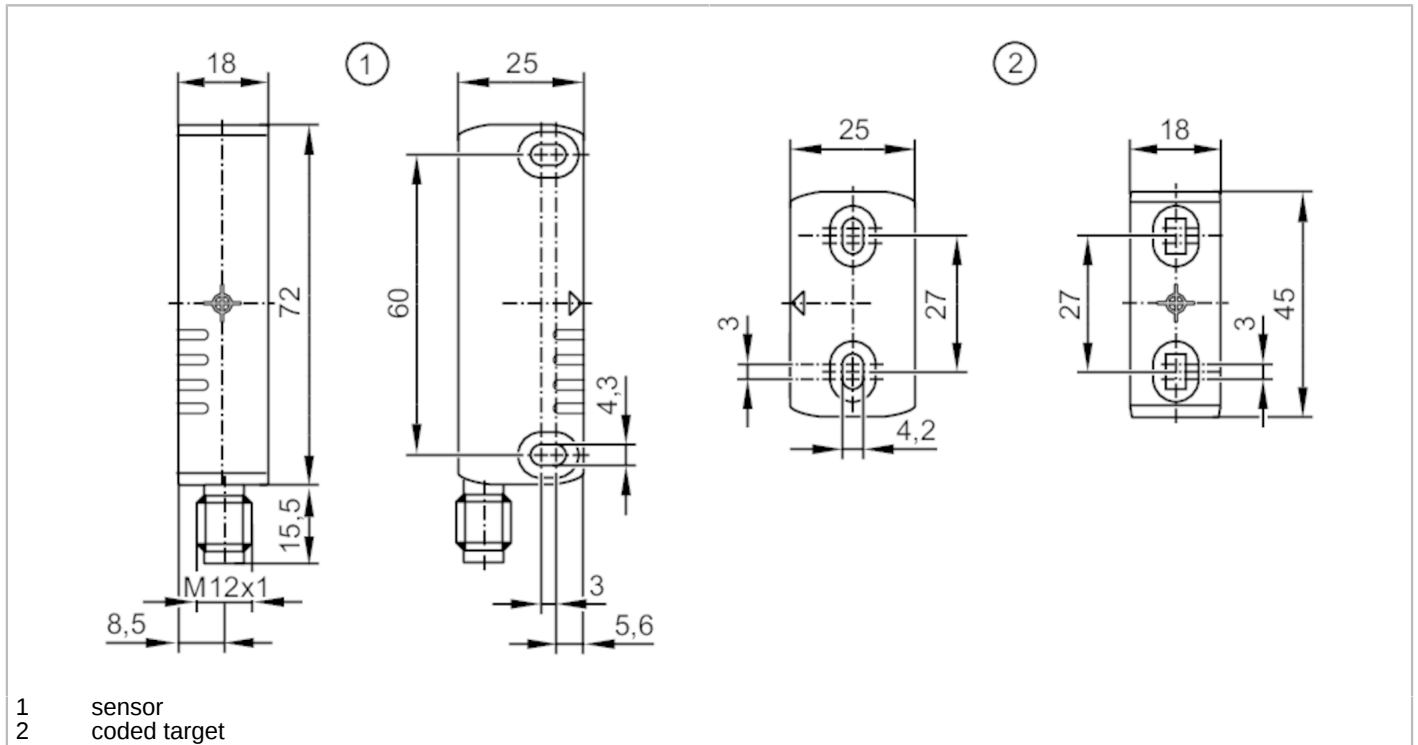


# MN700S



## RFID-coded safety sensor

MN35010-BPKG/CD/US



Product characteristics	
Sensing range	[mm] 12; (with defined actuator)
Housing	rectangular
Dimensions	[mm] 72 x 18 x 25
OSSD Output OS1, OS2	
Electrical design	PNP
Signal output O3	
Electrical design	PNP
Application	
Design	coded target
Type of operation	permanent operation
Radio approval for	USA; Canada; Australia; EU/RED; China; Singapore
Note on radio approval	The list of countries applying the European Radio Equipment Directive 2014/53/EU (RED) can be found under "Downloads".
Electrical data	
Operating voltage	[V] 20.4...26.4 DC
Rated insulation voltage	[V] 32
Operating current	[mA] 40...700
No-load current	[mA] 30
Current consumption	[mA] < 50
Protection class	III
Reverse polarity protection	yes
Max. power-on delay time	[ms] 1500

# MN700S



## RFID-coded safety sensor

MN35010-BPKG/CD/US

RFID	
Operating frequency [MHz]	0,125
Transmission power ERP [mW]	0.0002245
Inputs / outputs	
Number of inputs and outputs	Number of digital outputs: 3
Outputs	
Number of digital outputs	3; (2 x safety output; 1 x signal output)
OSSD Output OS1, OS2	
Electrical design	PNP
Max. voltage drop switching output DC [V]	3.5
Max. leakage current [mA]	0.5
Max. current load per output [mA]	250; (utilization category DC-12)
Switching frequency DC [Hz]	1
Output data	interface type C class 2
Short-circuit protection	yes
Overload protection	yes
Max. capacitive load CL_max [nF]	200
Signal output O3	
Electrical design	PNP
Max. voltage drop switching output DC [V]	3.5
Max. leakage current [mA]	0.5
Monitoring range	
Sensing range [mm]	12; (with defined actuator)
Safe switching-off distance s(ar) [mm]	16
Accuracy / deviations	
Hysteresis [%]	20
Repeatability analog output [%]	≤ 10; (% Sn)
Reaction times	
Response time to safety request [ms]	160
Response time when approaching the enable zone [ms]	600
Operating conditions	
Applications	Class C to EN 60654-1 weatherproof application
Ambient temperature [°C]	-25...70
Note on ambient temperature	operational life ≤ 87600 h
Ambient temperature [°C]	10...40
Note on ambient temperature	operational life ≤ 175200 h
Max. relative air humidity [%]	briefly: 5...95 %; permanent: 5...70 %
Air pressure [kPa]	80...106
Max. height above sea level [m]	2000
Ionizing radiation	not permissible

# MN700S



## RFID-coded safety sensor

MN35010-BPKG/CD/US

Salt spray	no
Protection	IP 65; IP 67

### Tests / approvals

EMC	IEC 60947-5-3	
Shock resistance	EN 60068-2-27	30 g (11 ms)
Vibration resistance	IEC 60068-2-6	10 g (10...55 Hz)

### Safety classification

Complies with the requirements	ISO 13849-1: 2015 Category 4, PL e	
	IEC 62061 SIL 3	
Mission time TM [h]	≤ 175200	
Mission time TM (additional indication)	20 years	
PFH [1/h]	1,5E-09	

### Mechanical data

Weight [g]	175.5
Housing	rectangular
Mounting	non-flush mountable
Dimensions [mm]	72 x 18 x 25
Material	PA
Tightening torque [Nm]	0.8...2

### Displays / operating elements

Display	Function	1 x LED, (ACT)
	Input	1 x LED, (IN)
	Output	1 x LED, (OUT)
	Power	1 x LED, (PWR)

### Accessories

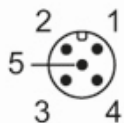
Items supplied	coded target
	washers: 4
	cover caps: 8

### Remarks

Pack quantity	1 pcs.
---------------	--------

### Electrical connection - plug

Connector: 1 x M12; coding: A; Moulded body: stainless steel (1.4301 / 304)



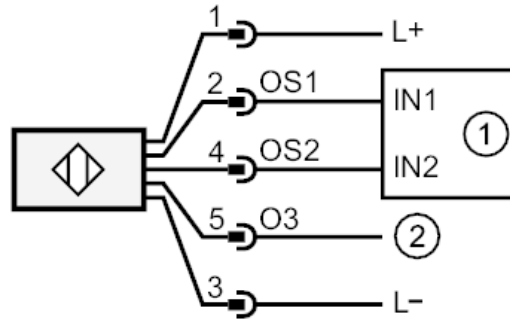
# MN700S



## RFID-coded safety sensor

MN35010-BPKG/CD/US

### Connection



- 1: Safety-related logic unit
- 2: Programmable Logic Controller (PLC)