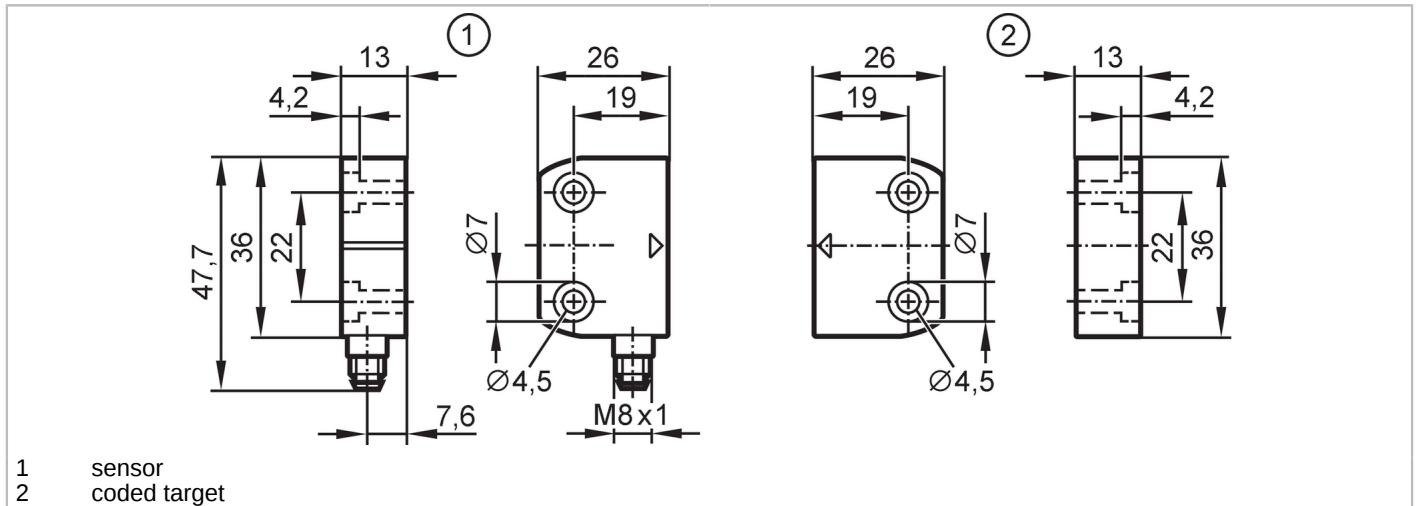


MN202S



Magnetically coded sensor

MN14005-AKOG/AS



Product characteristics	
Output function	2 x normally open; (potential-free)
Sensing range [mm]	5; (with defined actuator)
Housing	rectangular
Dimensions [mm]	36 x 13 x 26
Application	
Design	coded target
Type of operation	permanent operation
Electrical data	
Operating voltage [V]	24 DC
Rated insulation voltage [V]	60
Protection class	III
Reverse polarity protection	no
Internal resistance (Ri) [Ω]	10; (1 W)
Outputs	
Output function	2 x normally open; (potential-free)
Permanent current rating of switching output DC [mA]	50
Switching frequency DC [Hz]	150
Output data	Interface type A
Short-circuit proof	no
Max. capacitive load CL_max [nF]	20
Monitoring range	
Sensing range [mm]	5; (with defined actuator)
Safe switching-off distance s(ar) [mm]	15
Reaction times	
Response time to safety request [ms]	10
Max. fall time [ms]	0.1

MN202S



Magnetically coded sensor

MN14005-AKOG/AS

Max. make time incl. bounce [ms]	0.6
----------------------------------	-----

Operating conditions

Applications	Class C to EN 60654-1 weatherproof application
Ambient temperature [°C]	-25...80
Note on ambient temperature	operational life ≤ 87600 h
Ambient temperature [°C]	10...40
Note on ambient temperature	operational life ≤ 175200 h
Max. relative air humidity [%]	briefly: 5...95 %; permanent: 5...70 %
Air pressure [kPa]	80...106
Max. height above sea level [m]	2000
Salt spray	no
Protection	IP 67; IP 69K

Tests / approvals

EMC	IEC 60947-5-1	
Shock resistance	EN 60068-2-27	30 g (11 ms)
Vibration resistance	IEC 60068-2-6	10 g (10...55 Hz)

Safety classification

Mission time TM [h]	≤ 175200
Mission time TM (additional indication)	20 years
B10D	20.000.000; (without load; at max. load DC 12, 24 V, 50 mA: 400.000)

Mechanical data

Weight [g]	114.5
Housing	rectangular
Mounting	non-flush mountable
Dimensions [mm]	36 x 13 x 26
Material	PA
Tightening torque [Nm]	0.8...2

Accessories

Items supplied	coded target cover caps: 4
----------------	-------------------------------

Remarks

Remarks	In connection with a G150xS / AC4x2S type evaluation unit, it is possible to reach up to PL e (ISO 13849-1) or SIL cl 3 (IEC 62061)
Pack quantity	1 pcs.

Electrical connection - plug

Connector: 1 x M8; coding: A



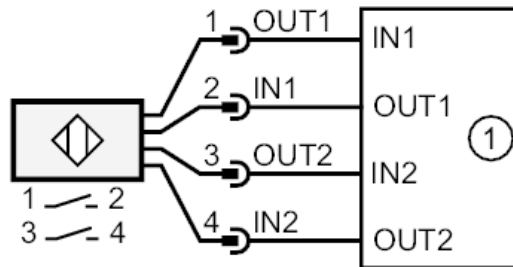
MN202S



Magnetically coded sensor

MN14005-AKOG/AS

Connection



1: Safety-related logic unit