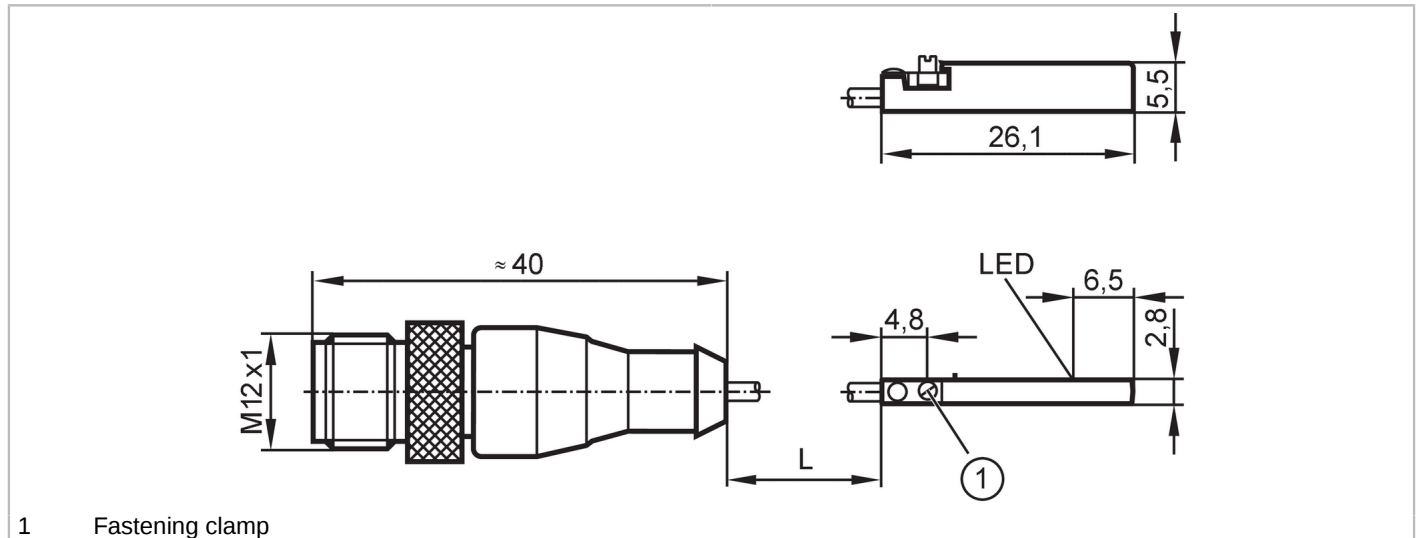


MK5314



Cylinder sensor with GMR cell

MKC3028BBPKG/G/0,3M/ZH/US



1 Fastening clamp




Product characteristics		
Electrical design		PNP
Output function		normally open
Dimensions	[mm]	26.1 x 2.8 x 5.5
Electrical data		
Operating voltage	[V]	10...30 DC; (cULus - Class 2 source required)
Current consumption	[mA]	< 10
Protection class		III
Reverse polarity protection		yes
Max. power-on delay time	[ms]	30
Outputs		
Electrical design		PNP
Output function		normally open
Max. voltage drop switching output DC	[V]	2.5
Permanent current rating of switching output DC	[mA]	100
Switching frequency DC	[Hz]	10000
Short-circuit protection		yes
Type of short-circuit protection		yes (non-latching)
Overload protection		yes
Monitoring range		
Magnetic sensitivity	[mT]	2.8
Travel speed	[m/s]	> 10
Accuracy / deviations		
Hysteresis	[mm]	1.5
Repeatability	[mm]	< 0.2

MK5314



Cylinder sensor with GMR cell

MKC3028BBPKG/G/0,3M/ZH/US

Operating conditions		
Ambient temperature	[°C]	-25...85
Protection		IP 65; IP 67
Tests / approvals		
EMC	EN 61000-4-2 ESD	- CD / 8 kV AD
	EN 61000-4-3 HF radiated	10 V/m
	EN 61000-4-4 Burst	2 kV
	EN 61000-4-6 HF conducted	10 V
	EN 55011	class B
MTTF	[years]	3731
UL approval	Ta	-25...75 °C
	Enclosure type	Type 1
	voltage supply	Limited Voltage/Current (Marking Class 2)
	UL approval number	C008
	File number UL	E174191
Mechanical data		
Weight	[g]	18.9
Mounting		flush mountable
Cylinder type		C-slot cylinders
Dimensions	[mm]	26.1 x 2.8 x 5.5
Material		housing: PA; Fastening clamp: stainless steel
Displays / operating elements		
Display	Switching status	1 x LED, yellow
Remarks		
Pack quantity		1 pcs.
Electrical connection - plug		
Cable: 0.3 m, PUR		
Connector: 1 x M12; coding: A; Locking: Knurled nut, rotatable		
		
Connection		
