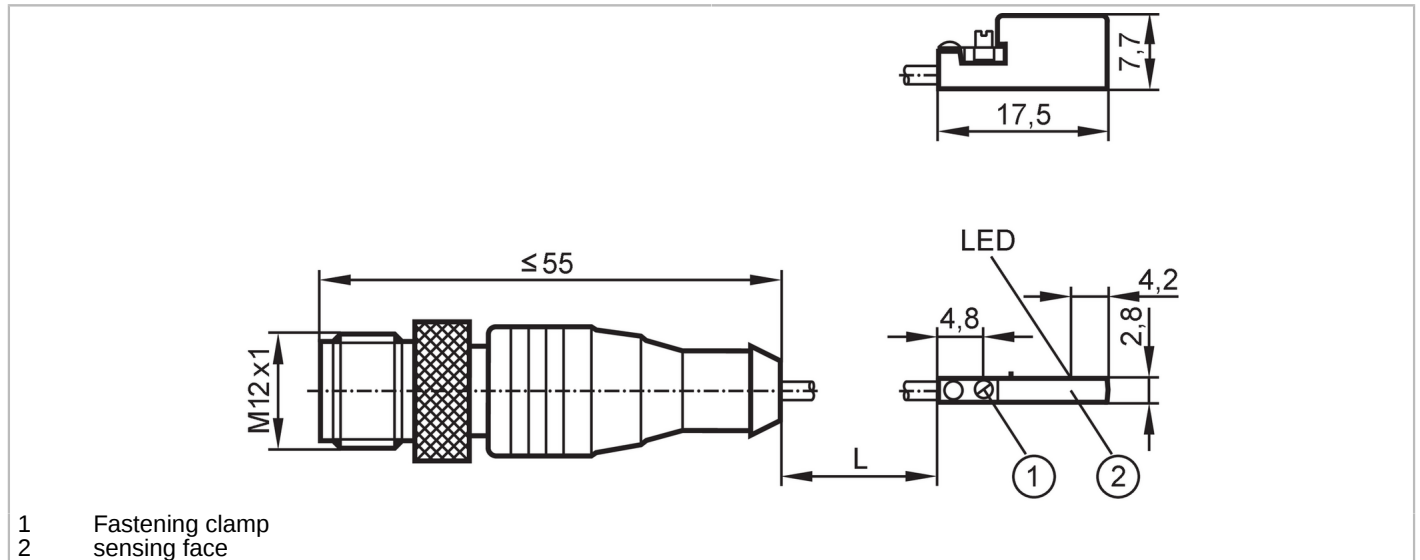


# MK5304



## C-slot cylinder sensor

MKC3028-BPKG/G/0,3M/ZH/US



### Product characteristics

Electrical design	PNP
Output function	normally open
Dimensions [mm]	17.5 x 2.8 x 7.7

### Electrical data

Operating voltage [V]	10...30 DC; (cULus - Class 2 source required)
Current consumption [mA]	< 10
Protection class	III
Reverse polarity protection	yes
Max. power-on delay time [ms]	30

### Outputs

Electrical design	PNP
Output function	normally open
Max. voltage drop switching output DC [V]	2.5
Permanent current rating of switching output DC [mA]	100
Switching frequency DC [Hz]	10000
Short-circuit protection	yes
Type of short-circuit protection	yes (non-latching)
Overload protection	yes

### Monitoring range

Magnetic sensitivity [mT]	2.8
Travel speed [m/s]	> 10

### Accuracy / deviations

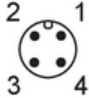
Hysteresis [mm]	1.5
Repeatability [mm]	< 0.2

# MK5304



## C-slot cylinder sensor

MKC3028-BPKG/G/0,3M/ZH/US

Operating conditions		
Ambient temperature	[°C]	-25...85
Protection		IP 65; IP 67
Tests / approvals		
EMC	EN 61000-4-2 ESD	- CD / 8 kV AD
	EN 61000-4-3 HF radiated	10 V/m
	EN 61000-4-4 Burst	2 kV
	EN 61000-4-6 HF conducted	10 V
	EN 55011	class B
MTTF	[years]	3694
UL approval	UL approval number	C008
Mechanical data		
Weight	[g]	18.8
Mounting		non-flush mountable
Cylinder type		C-slot cylinders
Dimensions	[mm]	17.5 x 2.8 x 7.7
Material		housing: PA; Fastening clamp: stainless steel
Displays / operating elements		
Display	Switching status	1 x LED, yellow
Remarks		
Pack quantity		1 pcs.
Electrical connection - plug		
Cable: 0.3 m, PUR		
Connector: 1 x M12; coding: A; Contacts: 4; Locking: Knurled nut, rotatable		
		
Connection		
