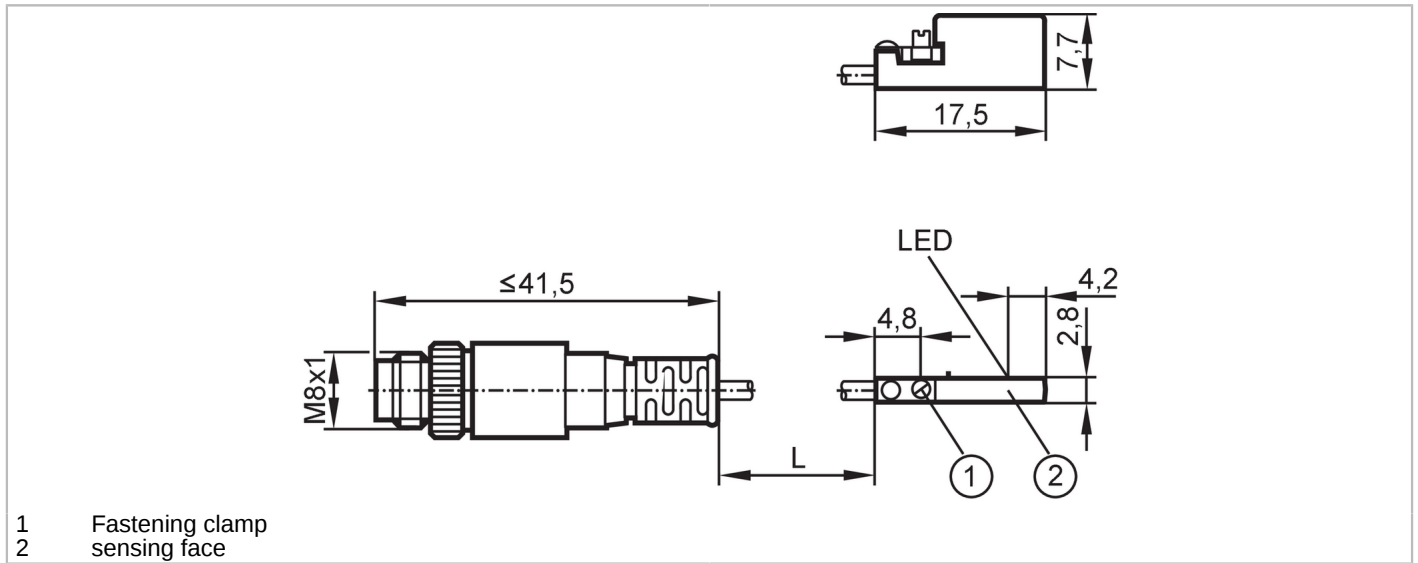


MK5302



C-slot cylinder sensor

MKC3028-BPKG/G/0,3M/ZH/ASR



Product characteristics		
Electrical design		PNP
Output function		normally open
Dimensions	[mm]	17.5 x 2.8 x 7.7
Electrical data		
Operating voltage	[V]	10...30 DC; (cULus - Class 2 source required)
Current consumption	[mA]	< 10
Protection class		III
Reverse polarity protection		yes
Max. power-on delay time	[ms]	30
Outputs		
Electrical design		PNP
Output function		normally open
Max. voltage drop switching output DC	[V]	2.5
Permanent current rating of switching output DC	[mA]	100
Switching frequency DC	[Hz]	10000
Short-circuit protection		yes
Overload protection		yes
Monitoring range		
Magnetic sensitivity	[mT]	2.8
Travel speed	[m/s]	> 10
Accuracy / deviations		
Hysteresis	[mm]	1.5
Repeatability	[mm]	< 0.2
Operating conditions		
Ambient temperature	[°C]	-25...85

MK5302



C-slot cylinder sensor

MKC3028-BPKG/G/0,3M/ZH/ASR

Protection IP 65; IP 67

Tests / approvals

EMC	EN 61000-4-2 ESD	- CD / 8 kV AD
	EN 61000-4-3 HF radiated	10 V/m
	EN 61000-4-4 Burst	2 kV
	EN 61000-4-6 HF conducted	10 V
	EN 55011	class B
MTTF [years]		3694
UL approval	UL approval number	C008

Mechanical data

Weight [g]	12.2
Mounting	non-flush mountable
Cylinder type	C-slot cylinders
Dimensions [mm]	17.5 x 2.8 x 7.7
Material	housing: PA; Fastening clamp: stainless steel

Displays / operating elements

Display	Switching status	1 x LED, yellow
---------	------------------	-----------------

Remarks

Pack quantity	1 pcs.
---------------	--------

Electrical connection - plug

Cable: 0.3 m, PUR

Connector: 1 x M8; coding: A; Locking: Knurled nut, rotatable



Connection

