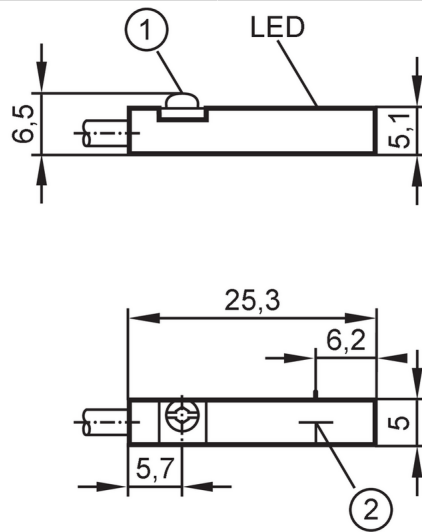


# MK5110



## T-slot cylinder sensor

MKT3028BBPKG/GI-H



- 1 Fastening clamp  
2 sensing face



### Product characteristics

Electrical design	PNP
Output function	normally open
Dimensions [mm]	25 x 5 x 6.5

### Electrical data

Operating voltage [V]	10...30 DC; (cULus - Class 2 source required)
Current consumption [mA]	< 10
Protection class	III
Reverse polarity protection	yes
Max. power-on delay time [ms]	30

### Outputs

Electrical design	PNP
Output function	normally open
Max. voltage drop switching output DC [V]	2.5
Permanent current rating of switching output DC [mA]	100
Switching frequency DC [Hz]	10000
Short-circuit protection	yes
Overload protection	yes

### Monitoring range

Magnetic sensitivity [mT]	2.8
Travel speed [m/s]	> 10

### Accuracy / deviations

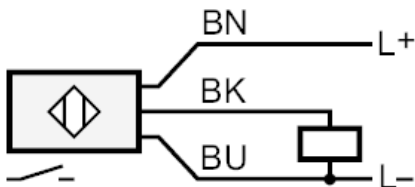
Hysteresis [mm]	1.5
Repeatability [mm]	< 0.2

# MK5110



## T-slot cylinder sensor

MKT3028BBPKG/GI-H

Operating conditions		
Ambient temperature	[°C]	-25...85
Protection		IP 65; IP 67; IP 69K
Tests / approvals		
EMC	EN 61000-4-2 ESD	- CD / 8 kV AD
	EN 61000-4-3 HF radiated	10 V/m
	EN 61000-4-4 Burst	2 kV
	EN 61000-4-6 HF conducted	10 V
	EN 55011	class B
MTTF	[years]	2373
UL approval	UL approval number	C003
Mechanical data		
Weight	[g]	30.4
Mounting		flush mountable
Type of mounting		fastening clamp with combined slot / hexagon socket, width across flats 1.5
Cylinder type		T-slot cylinders
Dimensions	[mm]	25 x 5 x 6.5
Material		housing: PA; Fastening clamp: stainless steel
Displays / operating elements		
Display	Switching status	1 x LED, yellow
Accessories		
Items supplied		rubber memory stop: 1 cable clip: 1
Remarks		
Pack quantity		1 pcs.
Electrical connection		
Cable: 2 m, PVC; 3 x 0.14 mm <sup>2</sup>		
Connection		
		
Core colors :		
BK =	black	
BN =	brown	
BU =	blue	