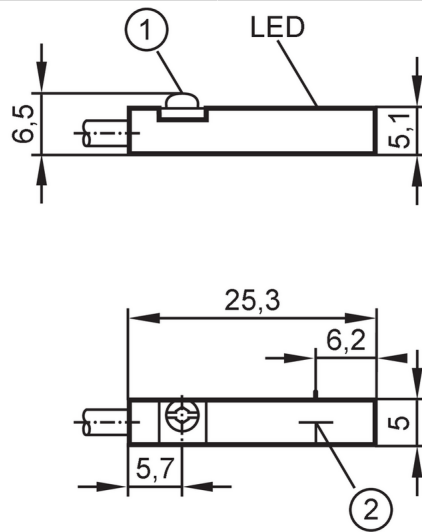


# MK5100



## T-slot cylinder sensor

MKT3028BBPKG/G/ZH



- 1 Fastening clamp
- 2 sensing face



### Product characteristics

Electrical design	PNP
Output function	normally open
Dimensions [mm]	25 x 5 x 6.5

### Electrical data

Operating voltage [V]	10...30 DC
Current consumption [mA]	< 10
Protection class	III
Reverse polarity protection	yes
Max. power-on delay time [ms]	30

### Outputs

Electrical design	PNP
Output function	normally open
Max. voltage drop switching output DC [V]	2.5
Permanent current rating of switching output DC [mA]	100
Switching frequency DC [Hz]	10000
Short-circuit protection	yes
Type of short-circuit protection	yes (non-latching)
Overload protection	yes

### Monitoring range

Magnetic sensitivity [mT]	2.8
Travel speed [m/s]	> 10

### Accuracy / deviations

Hysteresis [mm]	< 1.5
-----------------	-------

# MK5100



## T-slot cylinder sensor

MKT3028BBPKG/G/ZH

Repeatability	[mm]	< 0.2
<b>Operating conditions</b>		
Ambient temperature	[°C]	-25...85
Protection		IP 65; IP 67
<b>Tests / approvals</b>		
EMC	EN 61000-4-2 ESD	- CD / 8 kV AD
	EN 61000-4-3 HF radiated	10 V/m
	EN 61000-4-4 Burst	2 kV
	EN 61000-4-6 HF conducted	10 V
	EN 55011	class B
MTTF	[years]	3694
UL approval	Ta	-25...75 °C
	Enclosure type	Type 1
	voltage supply	Limited Voltage/Current
	UL approval number	C003
	File number UL	E174191
<b>Mechanical data</b>		
Weight	[g]	28.2
Mounting		flush mountable
Type of mounting		fastening clamp with combined slot / hexagon socket, width across flats 1.5
Cylinder type		T-slot cylinders
Dimensions	[mm]	25 x 5 x 6.5
Material		housing: PA; Fastening clamp: stainless steel
<b>Displays / operating elements</b>		
Display	Switching status	1 x LED, yellow
<b>Accessories</b>		
Items supplied		rubber memory stop: 1
		cable clip: 1
<b>Remarks</b>		
Pack quantity		1 pcs.

# MK5100



## T-slot cylinder sensor

MKT3028BBPKG/G/ZH

### Electrical connection

Cable: 2 m, PUR; 3 x 0.14 mm<sup>2</sup>

### Connection



Core colors :  
BK = black  
BN = brown  
BU = blue