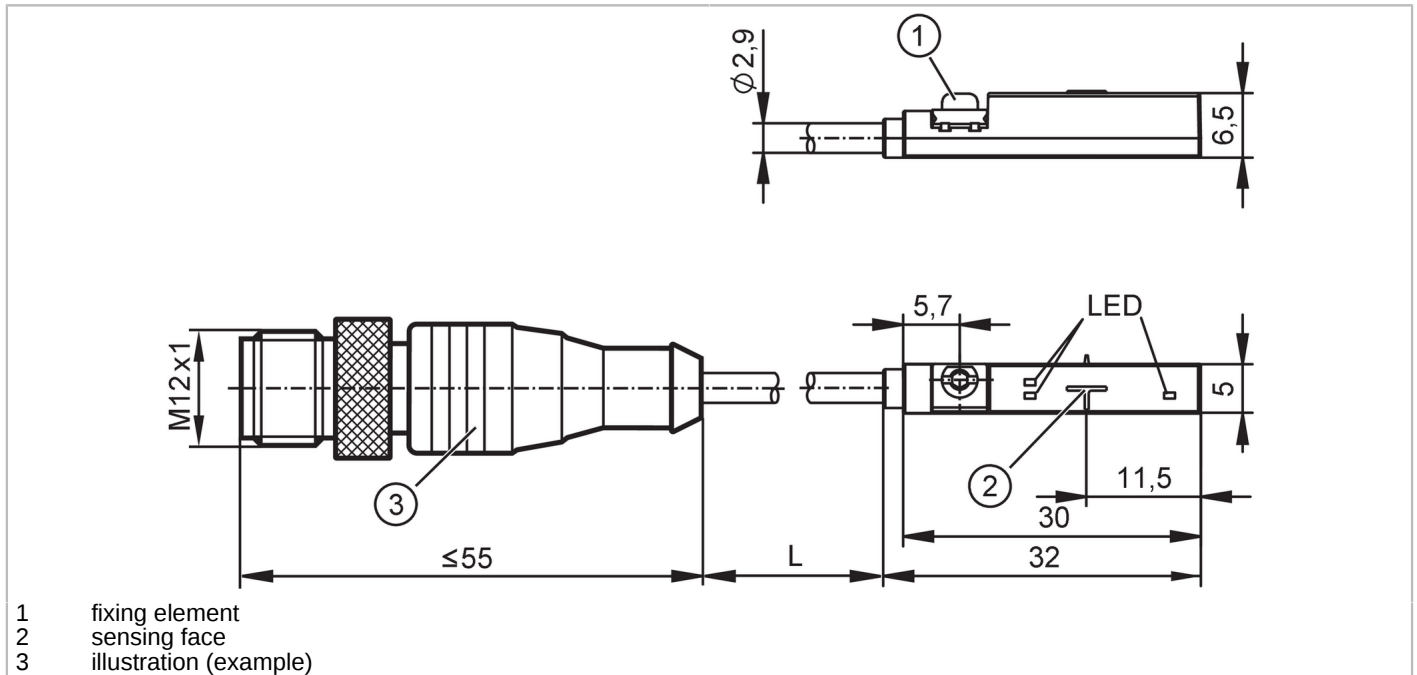


# MK5908



## Cylinder sensor with IO-Link

MKT4028BFRKG/H/0,3M/IO/ZH/US



Product characteristics	
Electrical design	PNP/NPN; (configurable)
Output function	normally open / closed; (configurable)
Communication interface	IO-Link
Application	
Principle of operation	Hall sensor; (3D function)
Electrical data	
Operating voltage [V]	10...30 DC; (cULus - Class 2 source required)
Current consumption [mA]	< 20
Protection class	III
Reverse polarity protection	yes
Max. power-on delay time [ms]	300
Inputs / outputs	
Number of inputs and outputs	Number of digital outputs: 2
Outputs	
Output signal	switching signal; IO-Link
Electrical design	PNP/NPN; (configurable)
Number of digital outputs	2
Output function	normally open / closed; (configurable)
Max. voltage drop switching output DC [V]	2.5
Max. leakage current [mA]	0.5
Permanent current rating of switching output DC [mA]	100
Switching frequency DC [Hz]	200

# MK5908



## Cylinder sensor with IO-Link

MKT4028BFRKG/H/0,3M/IO/ZH/US

Type of short-circuit protection	yes (non-latching)	
Short-circuit proof	yes	
Overload protection	yes	
<b>Monitoring range</b>		
Measuring range [mm]	50; (depending on the application)	
Min. field strength [mT]	1	
<b>Accuracy / deviations</b>		
Hysteresis [mm]	1.25; (configurable)	
Repeatability [mm]	< 0.2	
Linearity error IO-Link [%]	< 5	
Resolution [mm]	0,01; (depending on the application)	
<b>Software / programming</b>		
Parameter setting options	Switch points; Counter function; Diagnostic function	
<b>Interfaces</b>		
Communication interface	IO-Link	
Transmission type	COM2 (38,4 kBaud)	
IO-Link revision	1.1.3	
SDCI standard	IEC 61131-9 CDV	
Profiles	Smart Sensor - SSP 4.1.1	Measuring and Switching Sensor, 1 channel
	Common - I&D	Identification and Diagnosis
	Extension	Object detection, switches when value falls below the setpoint
	Function	Locator
	Function	ProductURI
SIO mode	yes	
Required master port class	A	
Min. process cycle time [ms]	5	
Supported DeviceIDs	<b>Type of operation</b>	<b>DeviceID</b>
	default	1613
<b>Operating conditions</b>		
Ambient temperature [°C]	-25...85	
Protection	IP 65; IP 67	
<b>Tests / approvals</b>		
EMC	EN 61000-4-2	- CD / 8 kV AD
	EN 61000-4-3	10 V/m
	EN 61000-4-4	2 kV
	EN 61000-4-6	10 V
	EN 55011	class B
Impact resistance	EN 60068-2-75 Ehc	1 J
Vibration resistance	EN 60068-2-6 Fc	20 g (10...3000 Hz) / 50 sweep cycles per frequency; 1 octave per minute in 3 axes
Shock resistance	EN 60068-2-27 Ea	30 g 11 ms half-sine; 3 shocks each in every direction of the 3 coordinate axes
MTTF [years]	1088	

# MK5908



## Cylinder sensor with IO-Link

MKT4028BFRKG/H/0,3M/IO/ZH/US

UL approval	Ta	-25...75 °C
	Enclosure type	Type 1
	voltage supply	Class 2
	UL approval number	C020
	File number UL	E174191

### Mechanical data

Weight	[g]	21.9
Mounting		flush mountable
Type of mounting		fixing element with combined head slot / hexagon socket AF 1.5
Cylinder type		T-slot cylinders
Material		housing: PA; Fastening clamp: stainless steel

### Displays / operating elements

Display	Switching status	2 x LED, yellow SSC1.1 SSC1.2
	Power	1x LED, green

### Accessories

Items supplied	cable clip: 1x
	rubber memory stop: 1x

### Remarks

Pack quantity	1 pcs.
---------------	--------

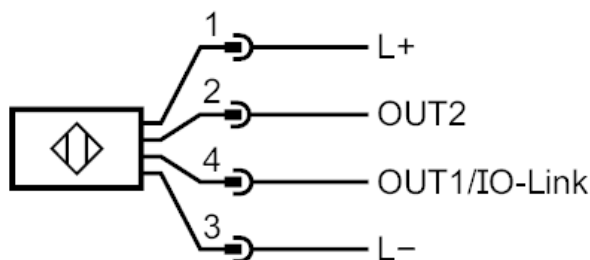
### Electrical connection - plug

Cable: 0.3 m, PUR, Ø 2.9 mm; 4 x 0.08 mm<sup>2</sup>

Connector: 1 x M12; coding: A



### Connection



2: OUT2  
4: IO-Link / OUT1