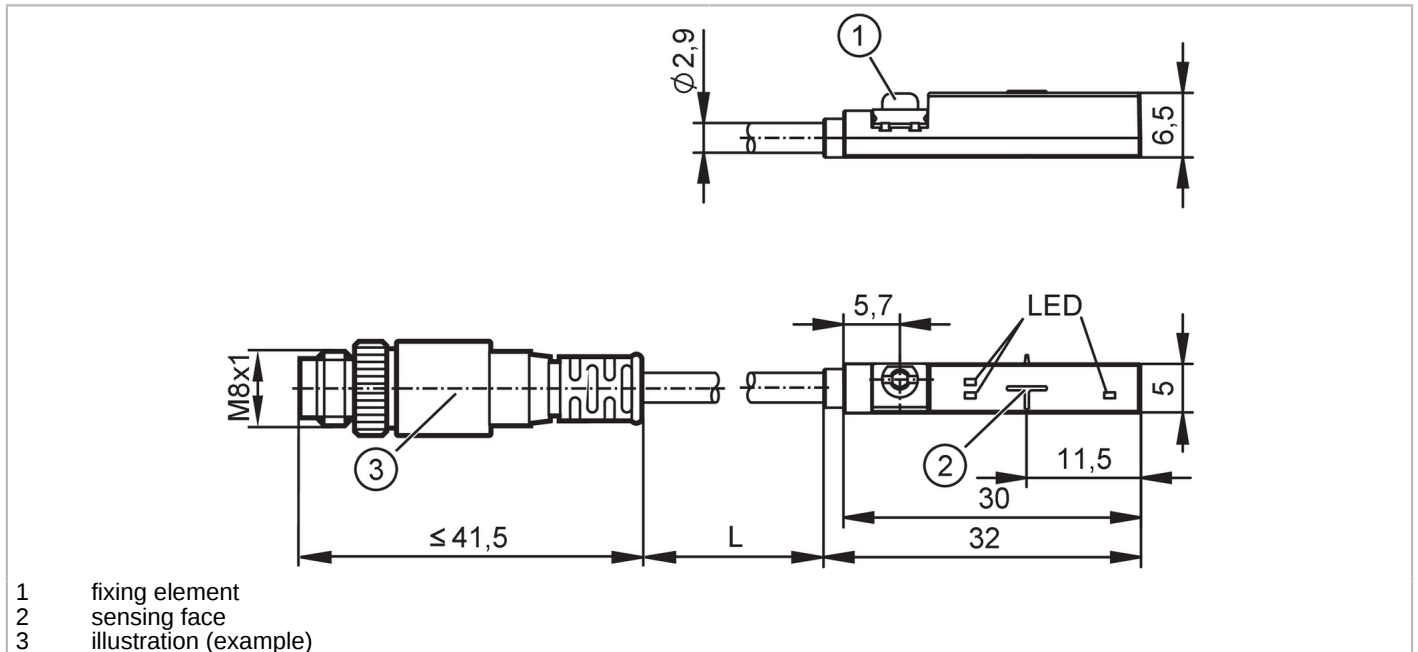


MK5906



Cylinder sensor with IO-Link

MKT3028BFRKG/H/0,3M/IO/ZH/ASR



Product characteristics	
Electrical design	PNP/NPN; (configurable)
Output function	normally open / closed; (configurable)
Communication interface	IO-Link
Application	
Principle of operation	Hall sensor; (3D function)
Electrical data	
Operating voltage [V]	10...30 DC; (cULus - Class 2 source required)
Current consumption [mA]	< 20
Protection class	III
Reverse polarity protection	yes
Max. power-on delay time [ms]	300
Inputs / outputs	
Number of inputs and outputs	Number of digital outputs: 1
Outputs	
Output signal	switching signal; IO-Link
Electrical design	PNP/NPN; (configurable)
Number of digital outputs	1
Output function	normally open / closed; (configurable)
Max. voltage drop switching output DC [V]	2.5
Max. leakage current [mA]	0.5
Permanent current rating of switching output DC [mA]	100
Switching frequency DC [Hz]	200

MK5906



Cylinder sensor with IO-Link

MKT3028BFRKG/H/0,3M/IO/ZH/ASR

Type of short-circuit protection	yes (non-latching)	
Short-circuit proof	yes	
Overload protection	yes	
Monitoring range		
Measuring range [mm]	50; (depending on the application)	
Min. field strength [mT]	1	
Accuracy / deviations		
Hysteresis [mm]	1.25; (configurable)	
Repeatability [mm]	< 0.2	
Linearity error IO-Link [%]	< 5	
Resolution [mm]	0,01; (depending on the application)	
Software / programming		
Parameter setting options	Switch points; Counter function; Diagnostic function	
Interfaces		
Communication interface	IO-Link	
Transmission type	COM2 (38,4 kBaud)	
IO-Link revision	1.1.3	
SDCI standard	IEC 61131-9 CDV	
Profiles	Smart Sensor - SSP 4.1.1	Measuring and Switching Sensor, 1 channel
	Common - I&D	Identification and Diagnosis
	Extension	Object detection, switches when value falls below the setpoint
	Function	Locator
	Function	ProductURI
SIO mode	yes	
Required master port class	A	
Min. process cycle time [ms]	5	
Supported DeviceIDs	Type of operation	DeviceID
	default	1612
Operating conditions		
Ambient temperature [°C]	-25...85	
Protection	IP 65; IP 67	
Tests / approvals		
EMC	EN 61000-4-2	- CD / 8 kV AD
	EN 61000-4-3	10 V/m
	EN 61000-4-4	2 kV
	EN 61000-4-6	10 V
	EN 55011	class B
Impact resistance	EN 60068-2-75 Ehc	1 J
Vibration resistance	EN 60068-2-6 Fc	20 g (10...3000 Hz) / 50 sweep cycles per frequency; 1 octave per minute in 3 axes
Shock resistance	EN 60068-2-27 Ea	30 g 11 ms half-sine; 3 shocks each in every direction of the 3 coordinate axes
MTTF [years]	1395	

MK5906



Cylinder sensor with IO-Link

MKT3028BFRKG/H/0,3M/IO/ZH/ASR

UL approval	Ta	-25...75 °C
	Enclosure type	Type 1
	voltage supply	Class 2
	UL approval number	C019
	File number UL	E174191


Mechanical data	
Weight [g]	15.93
Mounting	flush mountable
Type of mounting	fixing element with combined head slot / hexagon socket AF 1.5
Cylinder type	T-slot cylinders
Material	housing: PA; Fastening clamp: stainless steel

Displays / operating elements		
Display	Switching status	2 x LED, yellow SSC1.1 SSC1.2
	Power	1x LED, green

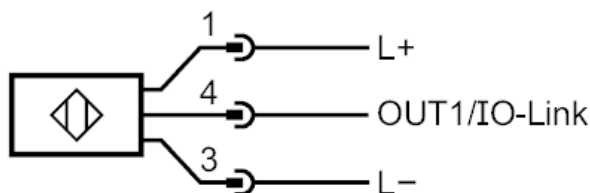
Accessories	
Items supplied	cable clip: 1x
	rubber memory stop: 1x

Remarks	
Pack quantity	1 pcs.

Electrical connection - plug
Cable: 0.3 m, PUR, Ø 2.9 mm; 3 x 0.14 mm²
Connector: 1 x M8; coding: A; with knurled nut



Connection



4: IO-Link / OUT1