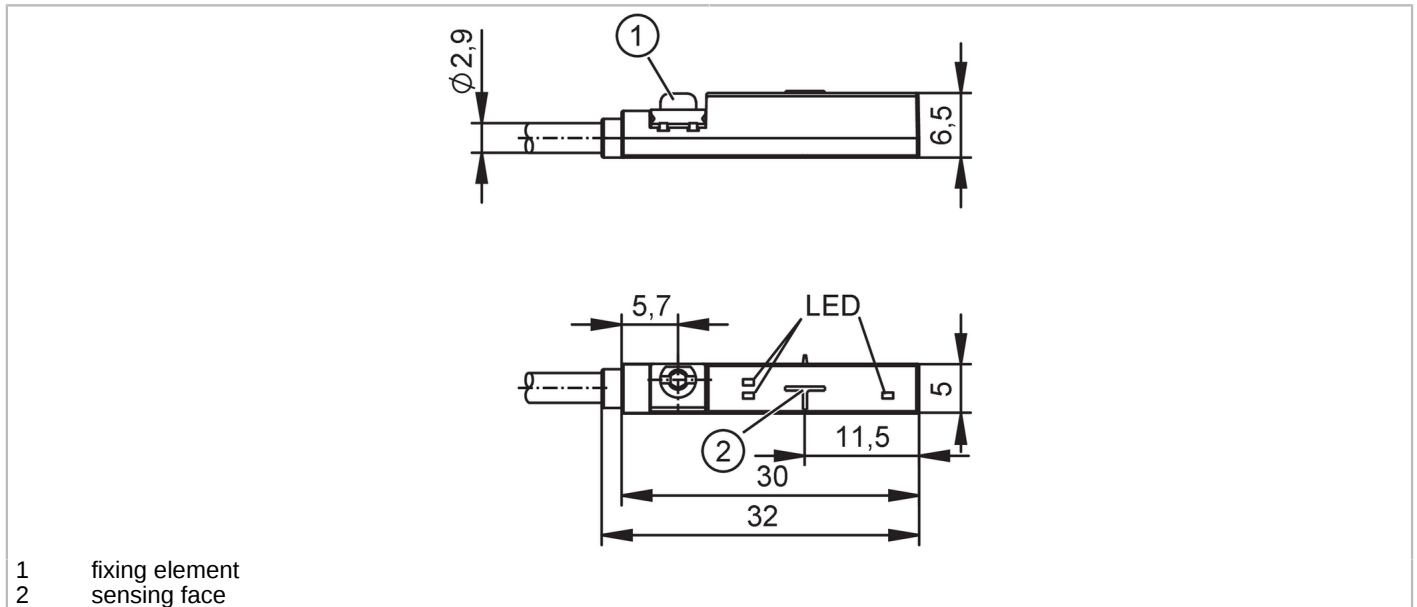


MK5904



Cylinder sensor with IO-Link

MKT4028BFRKG/H/IO/ZH



Product characteristics	
Electrical design	PNP/NPN; (configurable)
Output function	normally open / closed; (configurable)
Communication interface	IO-Link
Application	
Principle of operation	Hall sensor; (3D function)
Electrical data	
Operating voltage [V]	10...30 DC; (cULus - Class 2 source required)
Current consumption [mA]	< 20
Protection class	III
Reverse polarity protection	yes
Max. power-on delay time [ms]	300
Inputs / outputs	
Number of inputs and outputs	Number of digital outputs: 2
Outputs	
Output signal	switching signal; IO-Link
Electrical design	PNP/NPN; (configurable)
Number of digital outputs	2
Output function	normally open / closed; (configurable)
Max. voltage drop switching output DC [V]	2.5
Max. leakage current [mA]	0.5
Permanent current rating of switching output DC [mA]	100
Switching frequency DC [Hz]	200
Type of short-circuit protection	yes (non-latching)

MK5904



Cylinder sensor with IO-Link

MKT4028BFRKG/H/IO/ZH

Short-circuit proof		yes
Overload protection		yes
Monitoring range		
Measuring range	[mm]	50; (depending on the application)
Min. field strength	[mT]	1
Accuracy / deviations		
Hysteresis	[mm]	1.25; (configurable)
Repeatability	[mm]	< 0.2
Linearity error IO-Link	[%]	< 5
Resolution	[mm]	0,01; (depending on the application)
Software / programming		
Parameter setting options		Switch points; Counter function; Diagnostic function
Interfaces		
Communication interface		IO-Link
Transmission type		COM2 (38,4 kBaud)
IO-Link revision		1.1.3
SDCI standard		IEC 61131-9 CDV
Profiles	Smart Sensor - SSP 4.1.1	Measuring and Switching Sensor, 1 channel
	Common - I&D	Identification and Diagnosis
	Extension	Object detection, switches when value falls below the setpoint
	Function	Locator
	Function	ProductURI
SIO mode		yes
Required master port class		A
Min. process cycle time	[ms]	5
Supported DeviceIDs	Type of operation	DeviceID
	default	1613
Operating conditions		
Ambient temperature	[°C]	-25...85
Protection		IP 65; IP 67
Tests / approvals		
EMC	EN 61000-4-2	- CD / 8 kV AD
	EN 61000-4-3	10 V/m
	EN 61000-4-4	2 kV
	EN 61000-4-6	10 V
	EN 55011	class B
Impact resistance	EN 60068-2-75 Ehc	1 J
Vibration resistance	EN 60068-2-6 Fc	20 g (10...3000 Hz) / 50 sweep cycles per frequency; 1 octave per minute in 3 axes
Shock resistance	EN 60068-2-27 Ea	30 g 11 ms half-sine; 3 shocks each in every direction of the 3 coordinate axes
MTTF	[years]	1088

MK5904



Cylinder sensor with IO-Link

MKT4028BFRKG/H/IO/ZH

UL approval	Ta	-25...75 °C
	Enclosure type	Type 1
	voltage supply	Class 2
	UL approval number	C020
	File number UL	E174191

Mechanical data	
Weight [g]	30.8
Mounting	flush mountable
Type of mounting	fixing element with combined head slot / hexagon socket AF 1.5
Cylinder type	T-slot cylinders
Material	housing: PA; Fastening clamp: stainless steel

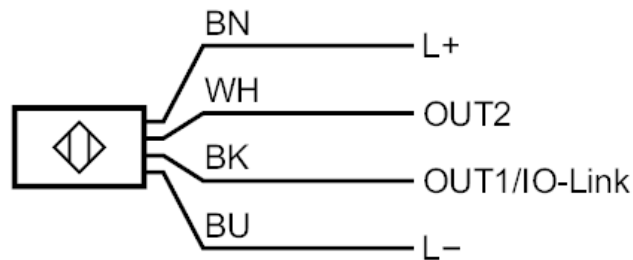
Displays / operating elements		
Display	Switching status	2 x LED, yellow SSC1.1 SSC1.2
	Power	1x LED, green

Accessories	
Items supplied	cable clip: 1x
	rubber memory stop: 1x

Remarks	
Pack quantity	1 pcs.

Electrical connection	
Cable: 2 m, PUR, Ø 2.9 mm; 4 x 0.08 mm ²	

Connection



BK: OUT1 / IO-Link
WH: OUT2
Core colors :
BN = brown
WH= white
BK = black
BU = blue