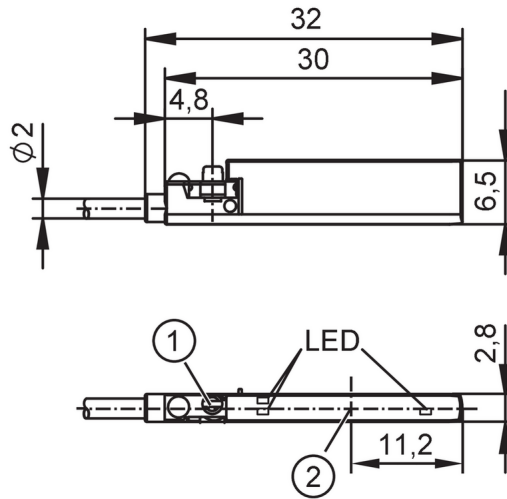


MK5804



Cylinder sensor with IO-Link

MKC3028BFRKG/H/IO/6,0M/ZH



- 1 fixing element
- 2 sensing face



Product characteristics

Electrical design	PNP/NPN; (configurable)
Output function	normally open / closed; (configurable)
Communication interface	IO-Link

Application

Principle of operation	Hall sensor; (3D function)
------------------------	----------------------------

Electrical data

Operating voltage	[V]	10...30 DC; (cULus - Class 2 source required)
Current consumption	[mA]	< 20
Protection class		III
Reverse polarity protection		yes
Max. power-on delay time	[ms]	300

Inputs / outputs

Number of inputs and outputs	Number of digital outputs: 1
------------------------------	------------------------------

Outputs

Output signal	switching signal; IO-Link	
Electrical design	PNP/NPN; (configurable)	
Number of digital outputs	1	
Output function	normally open / closed; (configurable)	
Max. voltage drop switching output DC	[V]	2.5
Max. leakage current	[mA]	0.5
Permanent current rating of switching output DC	[mA]	100
Switching frequency DC	[Hz]	200
Type of short-circuit protection	yes (non-latching)	
Short-circuit proof	yes	

MK5804



Cylinder sensor with IO-Link

MKC3028BFRKG/H/IO/6,0M/ZH

Overload protection	yes	
Monitoring range		
Measuring range	[mm]	50; (depending on the application)
Min. field strength	[mT]	1
Accuracy / deviations		
Hysteresis	[mm]	1.25; (configurable)
Repeatability	[mm]	< 0.2
Linearity error IO-Link	[%]	< 5
Resolution	[mm]	0,01; (depending on the application)
Software / programming		
Parameter setting options	Switch points; Counter function; Diagnostic function	
Interfaces		
Communication interface	IO-Link	
Transmission type	COM2 (38,4 kBaud)	
IO-Link revision	1.1.3	
SDCI standard	IEC 61131-9 CDV	
Profiles	Smart Sensor - SSP 4.1.1	Measuring and Switching Sensor, 1 channel
	Common - I&D	Identification and Diagnosis
	Extension	Object detection, switches when value falls below the setpoint
	Function	Locator
	Function	ProductURI
SIO mode	yes	
Required master port class	A	
Min. process cycle time	[ms]	5
Supported DeviceIDs	Type of operation	DeviceID
	default	1612
Operating conditions		
Ambient temperature	[°C]	-25...85
Protection	IP 65; IP 67	
Tests / approvals		
EMC	EN 61000-4-2	- CD / 8 kV AD
	EN 61000-4-3	10 V/m
	EN 61000-4-4	2 kV
	EN 61000-4-6	10 V
	EN 55011	class B
Impact resistance	EN 60068-2-75 Ehc	1 J
Vibration resistance	EN 60068-2-6 Fc	20 g (10...3000 Hz) / 50 sweep cycles per frequency; 1 octave per minute in 3 axes
Shock resistance	EN 60068-2-27 Ea	30 g 11 ms half-sine; 3 shocks each in every direction of the 3 coordinate axes
MTTF	[years]	1362

MK5804



Cylinder sensor with IO-Link

MKC3028BFRKG/H/IO/6,0M/ZH

UL approval	Ta	-25...75 °C
	Enclosure type	Type 1
	voltage supply	Class 2
	UL approval number	C020
	File number UL	E174191

Mechanical data

Weight	[g]	45.75
Mounting		flush mountable
Type of mounting		clamping screw with head for slotted screwdriver
Cylinder type		C-slot cylinders
Material		housing: PA; Fastening clamp: stainless steel

Displays / operating elements

Display	Switching status	2 x LED, yellow SSC1.1 SSC1.2
	Power	1x LED, green

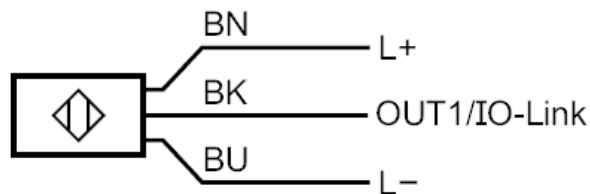
Remarks

Pack quantity	1 pcs.
---------------	--------

Electrical connection

Cable: 6 m, Ø 2 mm; 3 x 0.08 mm²

Connection



BK: OUT / IO-Link
Core colors :
BK = black
BN = brown
BU = blue