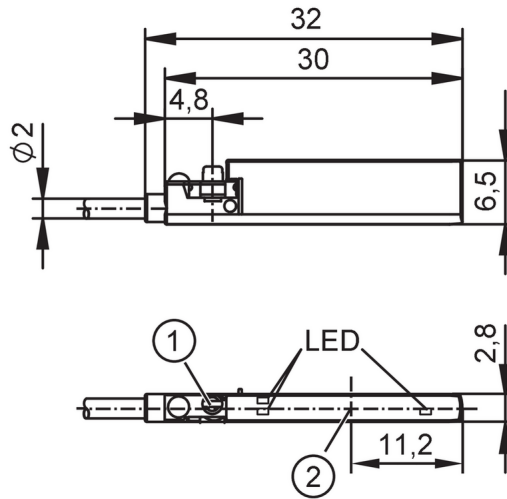


# MK5801



## Cylinder sensor with IO-Link

MKC3028BFRKG/H/IO/0,3M/ZH/AS



- 1 fixing element
- 2 sensing face



### Product characteristics

Electrical design	PNP/NPN; (configurable)
Output function	normally open / closed; (configurable)
Communication interface	IO-Link

### Application

Principle of operation	Hall sensor; (3D function)
------------------------	----------------------------

### Electrical data

Operating voltage	[V]	10...30 DC; (cULus - Class 2 source required)
Current consumption	[mA]	< 20
Protection class		III
Reverse polarity protection		yes
Max. power-on delay time	[ms]	300

### Inputs / outputs

Number of inputs and outputs	Number of digital outputs: 1
------------------------------	------------------------------

### Outputs

Output signal	switching signal; IO-Link	
Electrical design	PNP/NPN; (configurable)	
Number of digital outputs	1	
Output function	normally open / closed; (configurable)	
Max. voltage drop switching output DC	[V]	2.5
Max. leakage current	[mA]	0.5
Permanent current rating of switching output DC	[mA]	100
Switching frequency DC	[Hz]	200
Type of short-circuit protection	yes (non-latching)	
Short-circuit proof	yes	

# MK5801



## Cylinder sensor with IO-Link

MKC3028BFRKG/H/IO/0,3M/ZH/AS

Overload protection		yes
<b>Monitoring range</b>		
Measuring range	[mm]	50; (depending on the application)
Min. field strength	[mT]	1
<b>Accuracy / deviations</b>		
Hysteresis	[mm]	1.25; (configurable)
Repeatability	[mm]	< 0.2
Linearity error IO-Link	[%]	< 5
Resolution	[mm]	0,01; (depending on the application)
<b>Software / programming</b>		
Parameter setting options		Switch points; Counter function; Diagnostic function
<b>Interfaces</b>		
Communication interface		IO-Link
Transmission type		COM2 (38,4 kBaud)
IO-Link revision		1.1.3
SDCI standard		IEC 61131-9 CDV
Profiles	Smart Sensor - SSP 4.1.1	Measuring and Switching Sensor, 1 channel
	Common - I&D	Identification and Diagnosis
	Extension	Object detection, switches when value falls below the setpoint
	Function	Locator
	Function	ProductURI
SIO mode		yes
Required master port class		A
Min. process cycle time	[ms]	5
Supported DeviceIDs	<b>Type of operation</b>	<b>DeviceID</b>
	default	1612
<b>Operating conditions</b>		
Ambient temperature	[°C]	-25...85
Protection		IP 65; IP 67
<b>Tests / approvals</b>		
EMC	EN 61000-4-2	- CD / 8 kV AD
	EN 61000-4-3	10 V/m
	EN 61000-4-4	2 kV
	EN 61000-4-6	10 V
	EN 55011	class B
Impact resistance	EN 60068-2-75 Ehc	1 J
Vibration resistance	EN 60068-2-6 Fc	20 g (10...3000 Hz) / 50 sweep cycles per frequency; 1 octave per minute in 3 axes
Shock resistance	EN 60068-2-27 Ea	30 g 11 ms half-sine; 3 shocks each in every direction of the 3 coordinate axes
MTTF	[years]	1362

# MK5801



## Cylinder sensor with IO-Link

MKC3028BFRKG/H/IO/0,3M/ZH/AS

UL approval	Ta	-25...75 °C
	Enclosure type	Type 1
	voltage supply	Class 2
	UL approval number	C020
	File number UL	E174191

Mechanical data	
Weight [g]	9.9
Mounting	flush mountable
Type of mounting	clamping screw with head for slotted screwdriver
Cylinder type	C-slot cylinders
Material	housing: PA; Fastening clamp: stainless steel

Displays / operating elements		
Display	Switching status	2 x LED, yellow SSC1.1 SSC1.2
	Power	1x LED, green

Remarks	
Pack quantity	1 pcs.

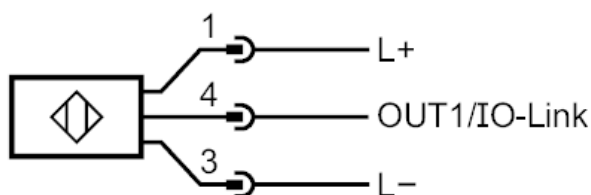
### Electrical connection

Cable: 0.3 m, Ø 2 mm; 3 x 0.08 mm<sup>2</sup>

Connector: 1 x M8; coding: A



### Connection



4: IO-Link / OUT1