

LR7000

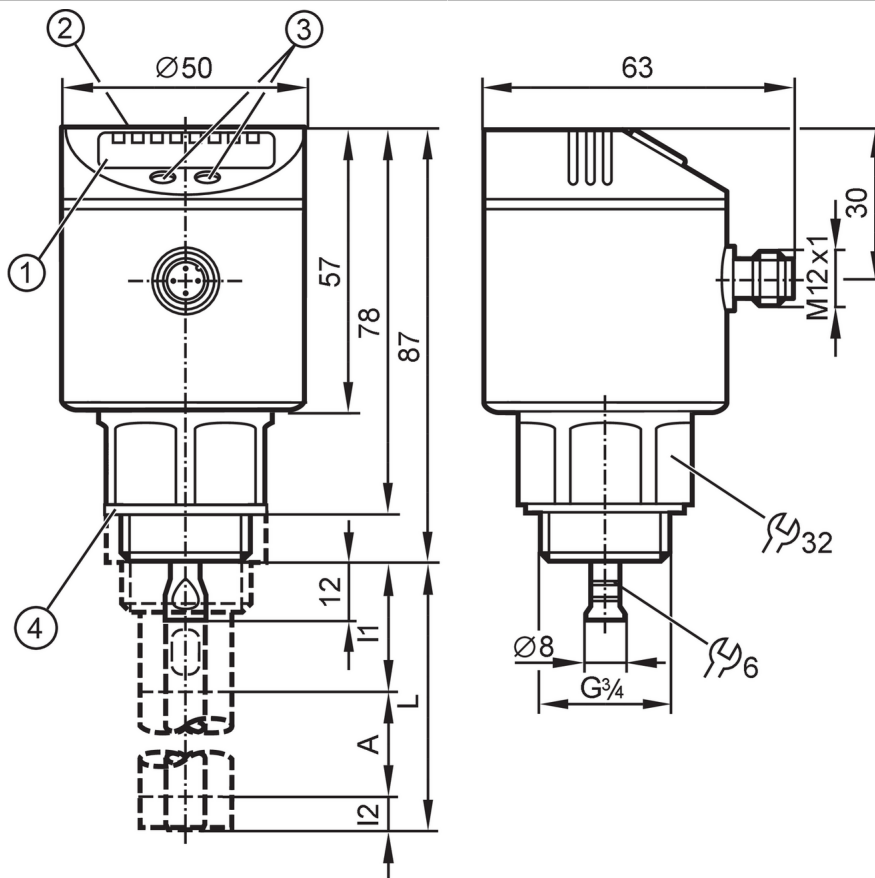


Continuous level sensor (guided wave radar)

LR0000B-BR34AQPKG/US

Please see the technical note under "Downloads"

For high process temperatures: The temperature at the process connection is decisive. The actual medium temperature may be higher.



- 1 alphanumeric display 4-digit
- 2 LEDs Display unit / Switching status
- 3 Programming buttons
- 4 sealing
- A Active zone
- I1 / I2 Inactive ranges



Product characteristics

Number of inputs and outputs	Number of digital outputs: 2
Probe length L [mm]	100...1600
Process connection	threaded connection G 3/4 external thread

Application

Special feature	gold-plated contacts
Application	for industrial applications
Media	Liquids
Dielectric constant of the medium	$\geq 1,8$; (for media with a dielectric constant of 1.8...5 (e.g. oils), a coaxial pipe is needed for operation)
Recommended media	water; water-based media; oils; oil-based media
Cannot be used for	See the operating instructions, chapter "Function and features".
Process temperature [°C]	-25...80; (90 < 1 h ; see note under remarks)

LR7000



Continuous level sensor (guided wave radar)

LR0000B-BR34AQPKG/US

Pressure rating	16 bar	1.6 MPa
Vacuum resistance	-1000 mbar	-0.1 MPa
MAWP (for applications according to CRN) [bar]		16
Electrical data		
Operating voltage [V]		18...30 DC
Current consumption [mA]		< 30
Protection class		III
Reverse polarity protection		yes
Power-on delay time [s]		< 3
Measuring principle		guided wave radar
Inputs / outputs		
Number of inputs and outputs		Number of digital outputs: 2
Outputs		
Total number of outputs		2
Output signal		switching signal; IO-Link
Electrical design		PNP
Number of digital outputs		2
Output function		normally open / closed; (configurable)
Max. voltage drop switching output DC [V]		2.5
Permanent current rating of switching output DC [mA]		200
Short-circuit protection		yes
Type of short-circuit protection		thermal, pulsed
Overload protection		yes
Measuring/setting range		
Probe length L [mm]		100...1600
Active range A [mm]		L-40; (when set to oil and oil based media: L-60)
Inactive range I1 / I2 [mm]		30 / 10; (when set to oil and oil based media: 30 / 30)
Sampling rate [Hz]		4
Setting range		
Set point SP [mm]		15...L-30
Note on setpoint SP		when set to oil and oil based media: 35...L-30
Reset point rP [mm]		10... L-35
Note on reset point rP		when set to oil and oil based media: 30...L-35
In steps of [mm]		5
Hysteresis [mm]		> 5
Accuracy / deviations		
Repeatability [mm]		± 5
Measuring error [mm]		± 7
Offset error [mm]		5
Resolution [mm]		1
Temperature drift per 10 K		± 0.2 %

LR7000



Continuous level sensor (guided wave radar)

LR0000B-BR34AQPKG/US

Interfaces		
Communication interface	IO-Link	
Transmission type	COM2 (38,4 kBaud)	
IO-Link revision	1.1	
SDCI standard	IEC 61131-9 CDV	
SIO mode	yes	
Required master port class	A	
Process data analog	1	
Process data binary	2	
Min. process cycle time [ms]	2.3	
Supported DeviceIDs	Type of operation	DeviceID
	default	8
Operating conditions		
Ambient temperature [°C]	-25...60	
Storage temperature [°C]	-40...85	
Protection	IP 67	
Tests / approvals		
EMC	DIN EN 61000-6-2	
	DIN EN 61000-6-3	in a closed metal tank
	DIN EN 61000-6-4	in plastic or open metal tanks
Shock resistance	DIN EN 60068-2-27	50 g (11 ms) / 25 g (6 ms) with reference rod 0.5 m
Vibration resistance	DIN EN 60068-2-6	5 g (10...2000 Hz) / 1 g (5...200 Hz) with reference rod 0.5 m
MTTF [years]	233	
UL approval	UL approval number	H007
	File number UL	E174191
Mechanical data		
Weight [g]	381.7	
Dimensions [mm]	Ø 50 / L = 99	
Material	stainless steel (1.4301 / 304); stainless steel (1.4404 / 316L); FKM; PBT; PC; PEI; TPE-V	
Materials (wetted parts)	stainless steel (1.4305 / 303); probe connection: stainless steel (1.4435 / 316L); PTFE; FKM; sealing: NBR fiber-reinforced	
Process connection	threaded connection G 3/4 external thread	
Displays / operating elements		
Display	Display unit	3 x LED, green
	Switching status	2 x LED, yellow
	Level	alphanumeric display, 4-digit
	Parameter setting	alphanumeric display, 4-digit
Remarks		
Notes	Please see the technical note under "Downloads"; For high process temperatures: The temperature at the process connection is decisive. The actual medium temperature may be higher.	
Pack quantity	1 pcs.	

LR7000



Continuous level sensor (guided wave radar)

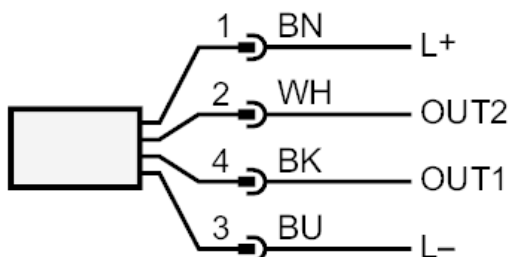
LR0000B-BR34AQPKG/US

Electrical connection

Connector: 1 x M12; coding: A; Contacts: 4, gold-plated



Connection



OUT1: switching output or IO-Link
OUT2: Switching output
Colors to DIN EN 60947-5-2
Core colors :
BK = black
BN = brown
BU = blue
WH = white

Diagrams and graphs

Measurement deviation D at the limits of the active rod range

