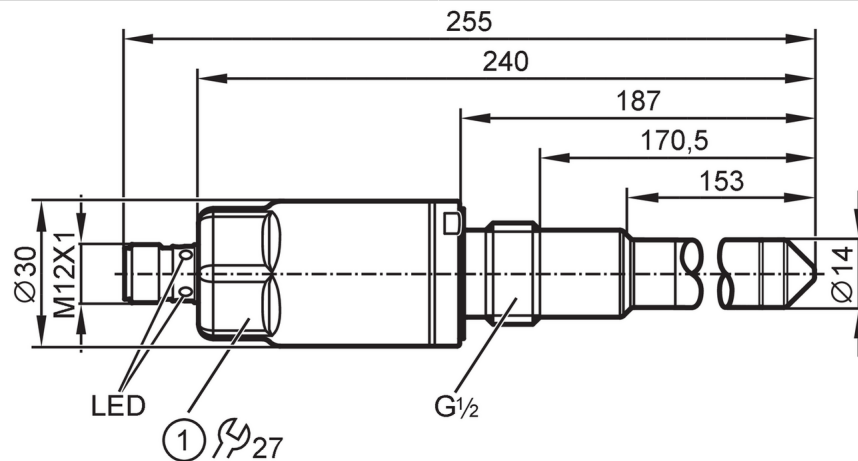


LMT03A

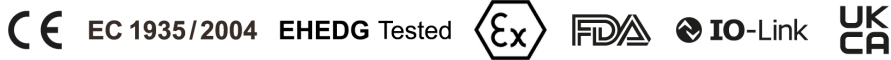


Sensor for point level detection in hazardous areas

LMDCE-A12E-QSKG-1/US/3D/3G



1 Tightening torque 20...25 Nm



Product characteristics

Number of inputs and outputs	Number of digital outputs: 2
Factory setting	oils; oil-based media; powder
Process connection	threaded connection G 1/2 sealing cone

Application

Special feature	gold-plated contacts
Media	Fluessige_Medien pastoese_Medien; powder
Cannot be used for	See the operating instructions, chapter "Function and features".
Medium temperature [°C]	-20...85
Probe length [mm]	153
Tank pressure	-1...40 bar -0.1...4 MPa

Electrical data

Operating voltage [V]	18...30 DC
Current consumption [mA]	< 50
Protection class	III
Reverse polarity protection	yes
Measuring principle	capacitive

Inputs / outputs

Number of inputs and outputs	Number of digital outputs: 2
------------------------------	------------------------------

Outputs

Total number of outputs	2
Output signal	switching signal; IO-Link
Electrical design	PNP/NPN
Number of digital outputs	2
Output function	normally open / closed; (configurable)
Max. voltage drop switching output DC [V]	2.5
Permanent current rating of switching output DC [mA]	100

LMT03A



Sensor for point level detection in hazardous areas

LMDCE-A12E-QSKG-1/US/3D/3G

Short-circuit protection	yes	
Type of short-circuit protection	yes (non-latching)	
Overload protection	yes	
Measuring/setting range		
Factory setting	oils; oil-based media; powder	
Reaction times		
Response time [s]	< 0.5	
Interfaces		
Communication interface	IO-Link	
Transmission type	COM2 (38,4 kBaud)	
IO-Link revision	1.1	
SDCI standard	IEC 61131-9	
SIO mode	yes	
Required master port class	A	
Process data analog	1	
Process data binary	2	
Min. process cycle time [ms]	2.3	
Supported DeviceIDs	Type of operation	DeviceID
	default	642
Operating conditions		
Ambient temperature [°C]	-20...60	
Storage temperature [°C]	-40...85	
Protection	IP 67; (when used outside the hazardous area: IP 68 / IP 69)	
Tests / approvals		
ATEX marking	II 3D Ex tc IIIC T90°C Dc X	
	II 3G Ex nA IIC T4 Gc X	
EMC	DIN EN 61000-6-2	
	DIN EN 61000-6-4	closed tanks
Shock resistance	DIN EN 60068-2-27	50 g (11 ms)
Vibration resistance	DIN EN 60068-2-6	8 g (10...2000 Hz)
MTTF [years]	222	
Mechanical data		
Weight [g]	329	
Dimensions [mm]	Ø 30 / L = 255	
Material	stainless steel (1.4404 / 316L); stainless steel (1.4571/316Ti); PEEK; PEI; FKM	
Materials (wetted parts)	stainless steel (1.4404 / 316L); stainless steel (1.4571/316Ti); PEEK surface characteristics: Ra < 0,8 µm / Rz = 4 µm; FKM	
Process connection	threaded connection G 1/2 sealing cone	
Displays / operating elements		
Display	Switching status	LED, yellow
	operating status	LED, green
Remarks		
Pack quantity	1 pcs.	

LMT03A



Sensor for point level detection in hazardous areas

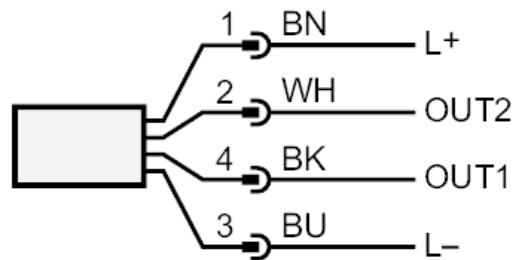
LMDCE-A12E-QSKG-1/US/3D/3G

Electrical connection

Connector: 1 x M12; coding: A; Contacts: gold-plated



Connection



OUT1: Switching output IO-Link Teach

OUT2: Switching output

Colors to DIN EN 60947-5-2

Core colors :

BK = black
BN = brown
BU = blue
WH = white