

LDP100



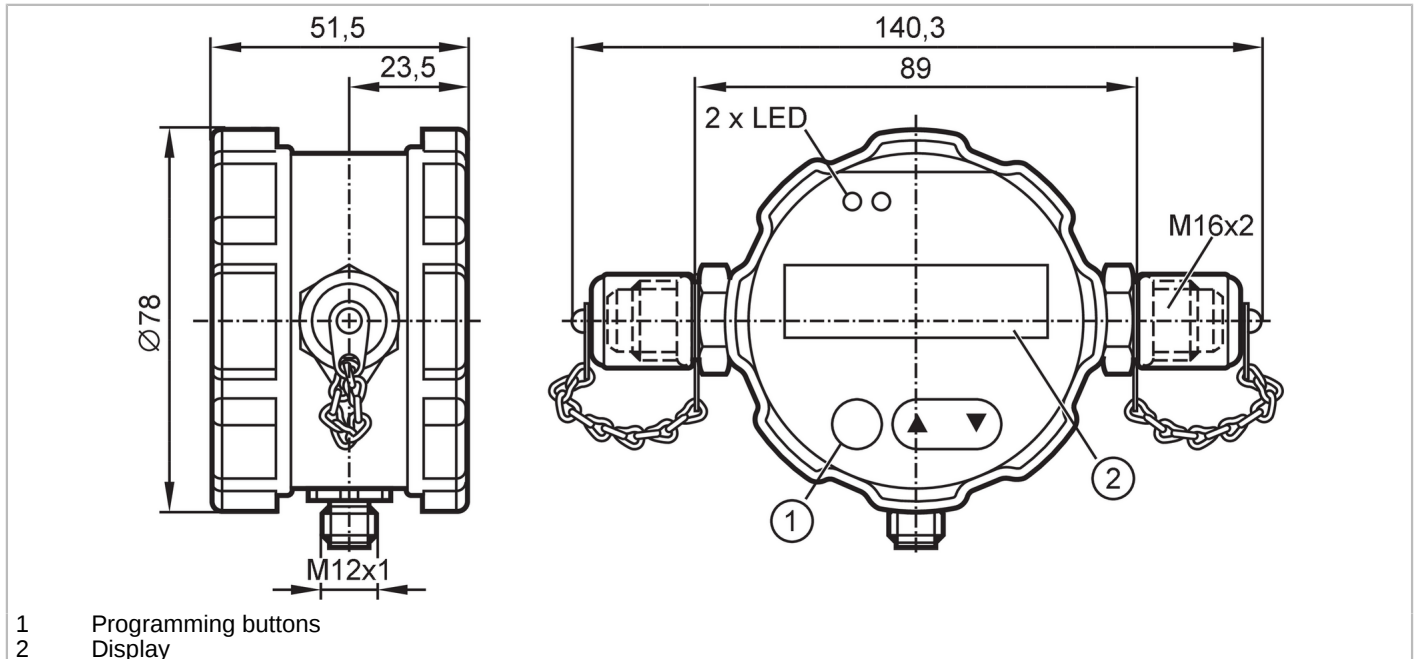
Optical oil particle monitor

OIL PARTICLE MONITOR

For 8-wire cordsets the core colors are not standardized.

Please note the wiring of the sensor and the cordsets (see data sheet).

Please see the technical note under "Downloads"



Product characteristics

Number of inputs and outputs	Number of digital outputs: 1; Number of analog outputs: 1
Process connection	threaded connection M16 x 2 external thread Minimes

Application

Media	mineral oils (e.g. HLP); ester oils (e.g. HEES); biodegradable oils (e.g. HETG)
-------	---------------------------------------------------------------------------------

Oil

Medium temperature	[°C]	-10...80
--------------------	------	----------

Electrical data

Operating voltage	[V]	9...33 DC
Current consumption	[mA]	< 300
Protection class		III
Measuring principle		photoelectric

Inputs / outputs

Number of inputs and outputs	Number of digital outputs: 1; Number of analog outputs: 1
------------------------------	-----------------------------------------------------------

Outputs

Total number of outputs		2
Number of digital outputs		1
Permanent current rating of switching output DC	[mA]	500
Number of analog outputs		1
Analog current output	[mA]	4...20
Max. load	[Ω]	($U_b - 4 V$) / 20 mA; $U_b = 24 V$: 1000

LDP100



Optical oil particle monitor

OIL PARTICLE MONITOR

Short-circuit proof	no	
Overload protection	no	
Measuring/setting range		
Measuring range	0...28; (Range number)	
Accuracy / deviations		
Accuracy	± 1; (Range number)	
Software / programming		
Parameter setting options	via buttons, PC or digital I/O	
Interfaces		
Communication interface	CAN	
Protocol	CANopen; SAE J1939	
Operating conditions		
Operating pressure	420; (dynamic: 0...420 bar; static: 0...600 bar) bar	42 MPa
Ambient temperature	[°C]	-10...60
Storage temperature	[°C]	-20...60
Protection	IP 67	
Tests / approvals		
MTTF	[years]	97
Pressure equipment directive	sound engineering practice; can be used for group 2 fluids; group 1 fluids on request	
Mechanical data		
Weight	[g]	816.6
Materials (wetted parts)	housing: stainless steel (1.4028 / 420); sight glass: sapphire chromium-plated; sealing: NBR	
Process connection	threaded connection M16 x 2 external thread Minimes	
Displays / operating elements		
Display	1 LED, green Power 1 LED, red Alarm LC display, displayed value corresponds to cleanliness level based on ISO 4406:21 and SAE AS4059F; NAS 1638 see operating instructions	
Data memory		
Memory size	3000 data records	
Remarks		
Pack quantity	1 pcs.	
Electrical connection		
Connector: 1 x M12; coding: A		

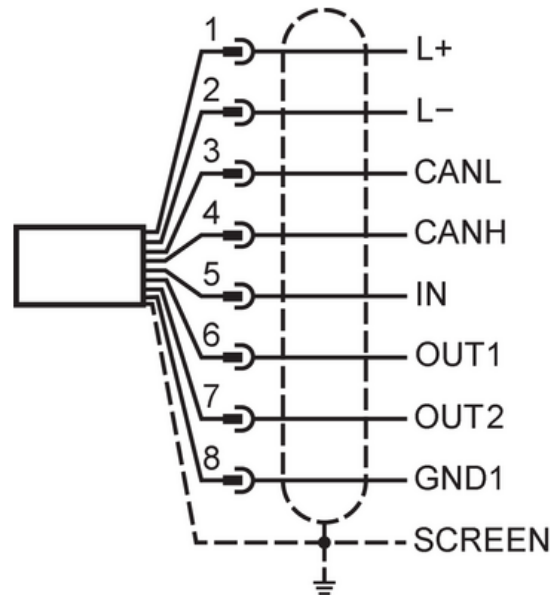
LDP100



Optical oil particle monitor

OIL PARTICLE MONITOR

Connection



1:	L+
2:	L-
3:	CAN_L
4:	CAN_H
5:	IN
6:	OUT1 AO
7:	OUT2 DO
8:	GND1 signal ground
SCREEN:	screen (connected to the housing)