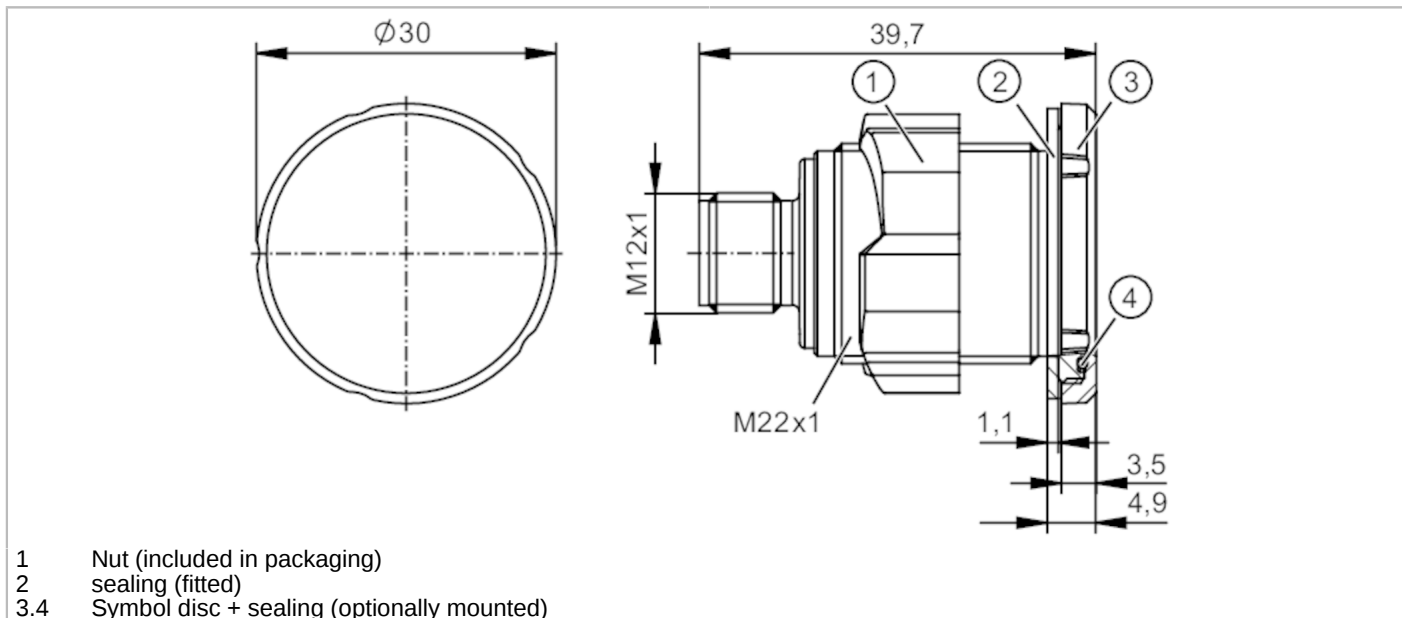


# KTV101



## M22 light

KTE-VOKM--RKG/US/IO



- 1 Nut (included in packaging)
- 2 sealing (fitted)
- 3.4 Symbol disc + sealing (optionally mounted)



### Product characteristics

Communication interface	IO-Link
Housing	Threaded type
Dimensions [mm]	M22 x 1 / L = 39.7

### Electrical data

Operating voltage [V]	8...32 DC
Protection class	III
Reverse polarity protection	yes
Current consumption	<ul style="list-style-type: none"> <li>&lt; 7,2 mA; (LED off: Ub = 24V)</li> <li>&lt; 125 mA; (LED white, max. brightness: Ub = 8V)</li> <li>&lt; 79 mA; (LED white, max. brightness: Ub = 12V)</li> <li>&lt; 43 mA; (LED white, max. brightness: Ub = 24V)</li> <li>&lt; 35 mA; (LED white, max. brightness : Ub = 32V)</li> </ul>

### Inputs

Total number of inputs	2
Switching level high [V]	< 19.2; (at 24V safely off : Voltage <= Ub*0,8)
Switching level low [V]	> 4.8; (at 24V safely off : Voltage <= Ub*0,2)
Inputs	according to the standard IEC 61131-2 (Typ 3)

### Interfaces

Communication interface	IO-Link										
Transmission type	COM2 (38,4 kBaud)										
IO-Link revision	1.1.3										
Profiles	<table border="1"> <tr> <td>Smart Sensor - SSP 1.1</td> <td>Fixed Switching Sensor</td> </tr> <tr> <td>Common - I&amp;D</td> <td>Identification and Diagnosis</td> </tr> <tr> <td>Function</td> <td>Locator</td> </tr> <tr> <td>Function</td> <td>ProductURI</td> </tr> <tr> <td>Extension</td> <td>Sensor control</td> </tr> </table>	Smart Sensor - SSP 1.1	Fixed Switching Sensor	Common - I&D	Identification and Diagnosis	Function	Locator	Function	ProductURI	Extension	Sensor control
Smart Sensor - SSP 1.1	Fixed Switching Sensor										
Common - I&D	Identification and Diagnosis										
Function	Locator										
Function	ProductURI										
Extension	Sensor control										

# KTV101



## M22 light

KTE-VOKM--RKG/US/IO

Min. process cycle time	[ms]	5
-------------------------	------	---

### Operating conditions

Ambient temperature	[°C]	-30...65
Protection		IP 65; IP 67; IP 69K; (on the front)

### Tests / approvals

EMC	EN 61000-4-2 ESD	4 kV CD / 8 kV AD
	EN 61000-4-3 HF radiated	10 V/m / 3 V/m
	EN 61000-4-4 Burst	2 kV
	EN 61000-4-6 HF conducted	10 V
	IEC 61000-6-3, EN 55011	(Class B)
	IEC 61000-4-5 Surge	1 kV (L+ to L- , 42 Ω, 0,5 μF) / 0,5 kV (all cables to L- , 42 Ω, 0,5 μF)
Vibration resistance	EN 60068-2-6 Fc	20 g (10...3000 Hz) / 50 sweep cycles per frequency; 1 octave per minute in 3 axes
Shock resistance	EN 60068-2-27 Ea	50 g 11 ms half-sine; 20 shocks each in every direction of the 3 coordinate axes
Continuous shock resistance	EN 60068-2-29 Eb	40 g 6 ms half-sine; 8000 shocks each in every direction of the 3 coordinate axes
MTTF	[years]	309
UL approval	Ta	-30...60 °C
	Enclosure type	Type 1
	voltage supply	Limited Voltage/Current
	File number UL	E174191

### Mechanical data

Weight	[g]	48.1
Housing		Threaded type
Dimensions	[mm]	M22 x 1 / L = 39.7
Thread designation		M22 x 1
Material		housing: PA; lock nut: PBT

### Displays / operating elements

Display	Power	LED, RGB configurable
---------	-------	-----------------------

### Accessories

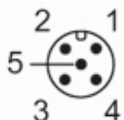
Items supplied		lock nuts: 1 x M22
Accessory required		Symbol disc
		O-ring

### Remarks

Pack quantity		1 pcs.
---------------	--	--------

### Electrical connection - plug

Connector: 1 x M12; coding: A



# KTV101



## M22 light

KTE-VOKM--RKG/US/IO

### Connection

