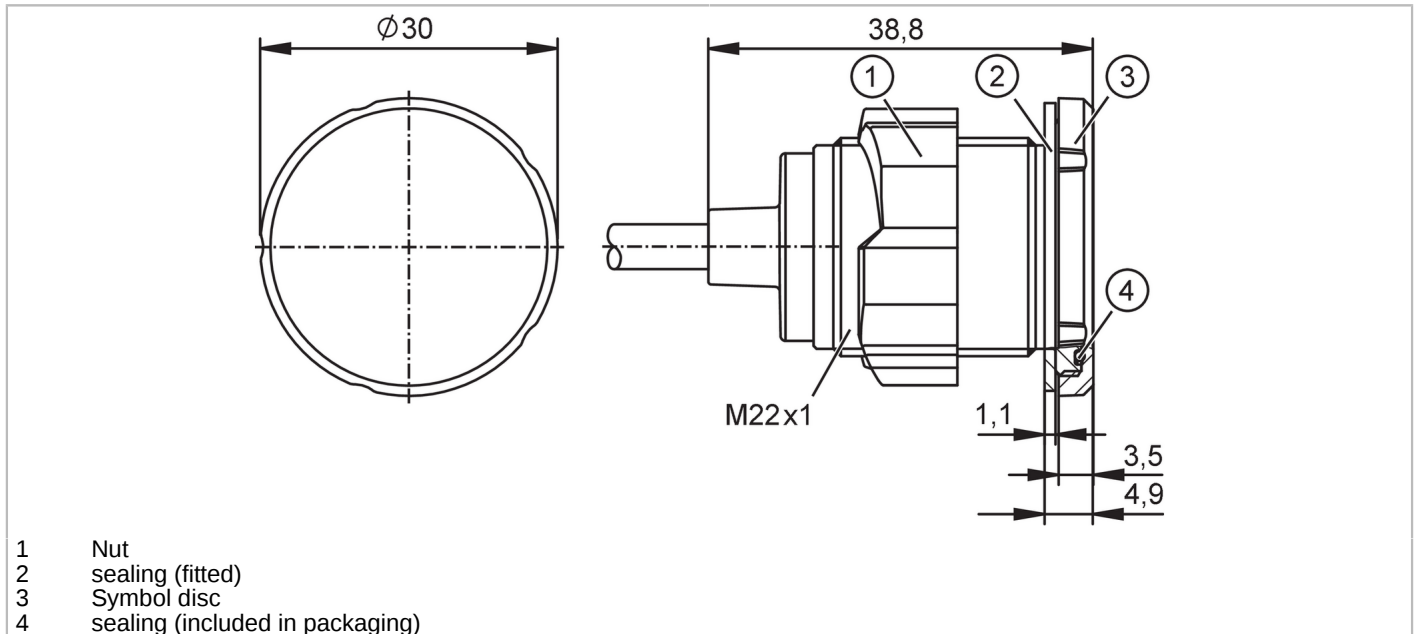


# KTE110



## Capacitive touch sensor

KTEEFOKMMFRKG/2M/IO



Product characteristics	
Electrical design	PNP/NPN; (configurable)
Output function	normally open / closed; (configurable)
Communication interface	IO-Link
Housing	Threaded type
Dimensions [mm]	M22 x 1 / L = 38.8
Application	
Principle of operation	static; (Factory setting, configurable)
UV resistant	yes
Electrical data	
Operating voltage [V]	8...32 DC
Protection class	III
Reverse polarity protection	yes
Current consumption	< 7,2 mA; (LED off: Ub = 24 V) < 125 mA; (LED white, max. brightness: Ub = 8 V) < 79 mA; (LED white, max. brightness: Ub = 12 V) < 43 mA; (LED white, max. brightness: Ub = 24 V) < 35 mA; (LED white, max. brightness : Ub = 32 V)
Inputs	
Total number of inputs	2
Switching level high [V]	> 19.2; (at 24 V safely on : Voltage >= Ub*0,8)
Switching level low [V]	< 4.8; (at 24V safely off : Voltage <= Ub*0,2)
Inputs	according to the standard IEC 61131-2 (Typ 3)
Outputs	
Electrical design	PNP/NPN; (configurable)
Output function	normally open / closed; (configurable)

# KTE110



## Capacitive touch sensor

KTEEF0KMMFRKG/2M/IO

Max. voltage drop switching output DC	[V]	1.5
Permanent current rating of switching output DC	[mA]	200
Short-circuit protection		yes
Overload protection		yes

Reaction times		
Response time	[ms]	64

Software / programming		
Parameter setting options		normally open / closed; PNP/NPN; static; dynamic; Bistable; combination; Switch-on and switch-off delay; brightness; sensitivity; Operating conditions

Interfaces		
Communication interface		IO-Link
Transmission type		COM2 (38,4 kBaud)
IO-Link revision		1.1.3
Profiles	Smart Sensor - SSP 1.1	Fixed Switching Sensor
	Common - I&D	Identification and Diagnosis
	Extension	Sensor Control Wide
	Function	Locator
	Function	ProductURI
Min. process cycle time	[ms]	13.2
Supported DeviceIDs	<b>Type of operation</b>	<b>DeviceID</b>
	default	1917

Operating conditions		
Ambient temperature	[°C]	-30...65
Protection		IP 65; IP 67; (IP 69K on the front)

Tests / approvals		
EMC	EN 61000-4-2 ESD	4 kV CD / 8 kV AD
	EN 61000-4-3 HF radiated	10 V/m / 3 V/m
	EN 61000-4-4 Burst	2 kV
	EN 61000-4-6 HF conducted	10 V
	IEC 61000-6-3, EN 55011	(Class B)
	IEC 61000-4-5 Surge	1 kV (L+ to L- , 42 Ω, 0,5 μF) / 0,5 kV (all cables to L- , 42 Ω, 0,5 μF)
Vibration resistance	EN 60068-2-6 Fc	20 g (10...3000 Hz) / 50 sweep cycles per frequency; 1 octave per minute in 3 axes
Shock resistance	EN 60068-2-27 Ea	50 g 11 ms half-sine; 20 shocks each in every direction of the 3 coordinate axes
Continuous shock resistance	EN 60068-2-29 Eb	40 g 6 ms half-sine; 8000 shocks each in every direction of the 3 coordinate axes

Mechanical data		
Weight	[g]	108
Housing		Threaded type
Dimensions	[mm]	M22 x 1 / L = 38.8
Thread designation		M22 x 1
Material		housing: PA; lock nut: PBT; Symbol disc: PA; Gasket: NR

# KTE110



## Capacitive touch sensor

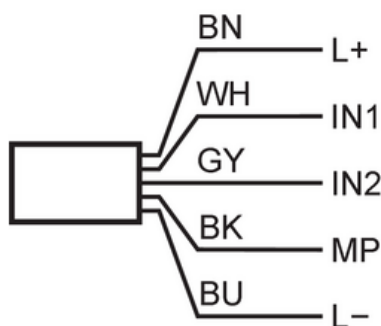
KTEEFOKMMFRKG/2M/IO

Displays / operating elements		
Display	Switching status	LED, red
	Power	LED, green
Accessories		
Items supplied	lock nuts: 1 x M22	
	transparent symbol disc: 1	
	symbol sticker: 1	
	Gasket: 1	
	O-ring: 1	
Accessories (optional)	Symbol disc	
Remarks		
Pack quantity	1 pcs.	

### Electrical connection

Cable: 2 m, PUR, Ø 4.9 mm; 5 x 0.34 mm<sup>2</sup>

#### Connection



BN : brown  
 WH : white  
 GY : grey  
 BK: black  
 BU: blue

BN L+  
 WH IN1  
 GY IN2  
 BK MP DO (NO/NC), IO-Link  
 BU L-  
 MP: multifunctional input; DO: digital output; NO: normally open; NC: normally closed

# KTE110

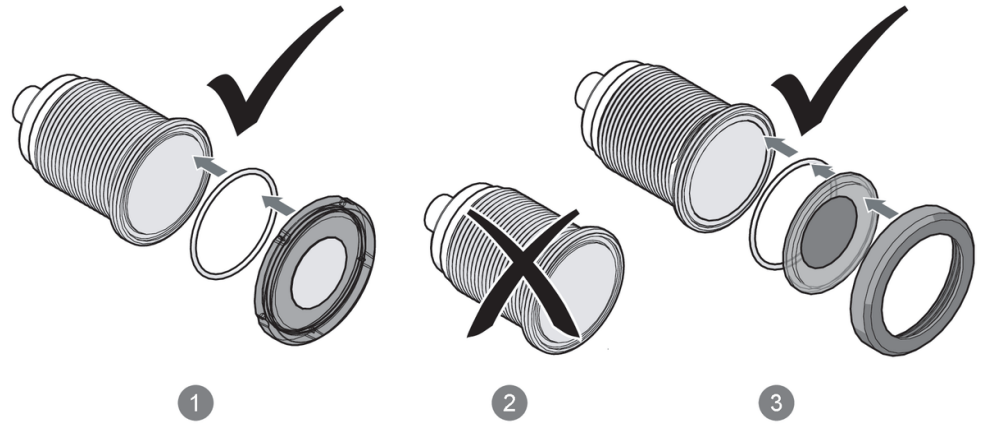


## Capacitive touch sensor

KTEEFOKMMFRKG/2M/IO

### Diagrams and graphs

application note relevant for the function



function  
only  
ensured  
with  
symbol  
disc  
(can  
be  
ordered  
separately)

1. function ensured with plastic disc
2. function not ensured without disc
3. function ensured with stainless steel disc