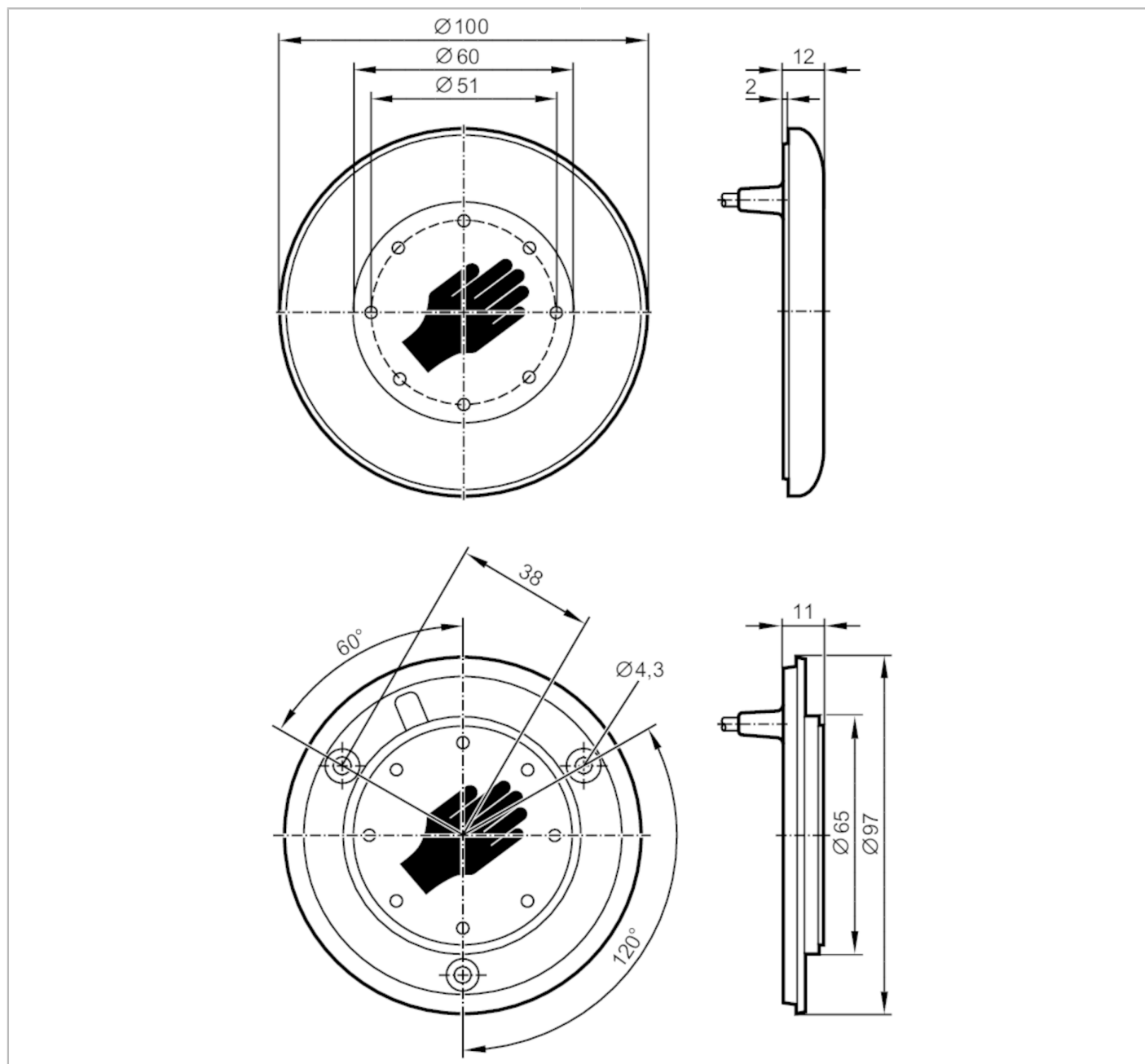


KT5002



Capacitive touch sensor

KTRDHMK-RBPKG/AM/AS/0,3M




Product characteristics	
Electrical design	PNP
Output function	normally open
Dimensions [mm]	Ø 100 / L = 11
Application	
Principle of operation	dynamic

KT5002



Capacitive touch sensor

KTRDHMK-RBPKG/AM/AS/0,3M

Electrical data		
Operating voltage	[V]	12...30 DC
Current consumption	[mA]	30
Protection class		III
Reverse polarity protection		yes
Max. power-on delay time	[ms]	500
Outputs		
Electrical design		PNP
Output function		normally open
Permanent current rating of switching output DC	[mA]	200
Short-circuit protection		yes
Overload protection		yes
Length of output signal	[ms]	300
Reaction times		
Response time	[ms]	35
Operating conditions		
Ambient temperature	[°C]	-40...85
Protection		IP 67; IP 69K; (on the front)
Tests / approvals		
MTTF	[years]	391
Mechanical data		
Weight	[g]	131
Dimensions	[mm]	Ø 100 / L = 11
Material		actuating surface: PA Grilamid TR 90UV transparent; housing: PC/ABS black; Colored surround: PC/ABS green
Displays / operating elements		
Display	Switching status	8 x LED, red
	Power	8 x LED, green
Accessories		
Accessories (optional)		surround in different colors
Remarks		
Pack quantity		1 pcs.
Electrical connection - plug		
Cable: 0.3 m, PUR		
Connector: 1 x M8		
		

KT5002



Capacitive touch sensor

KTRDHMK-RBPKG/AM/AS/0,3M

Connection

