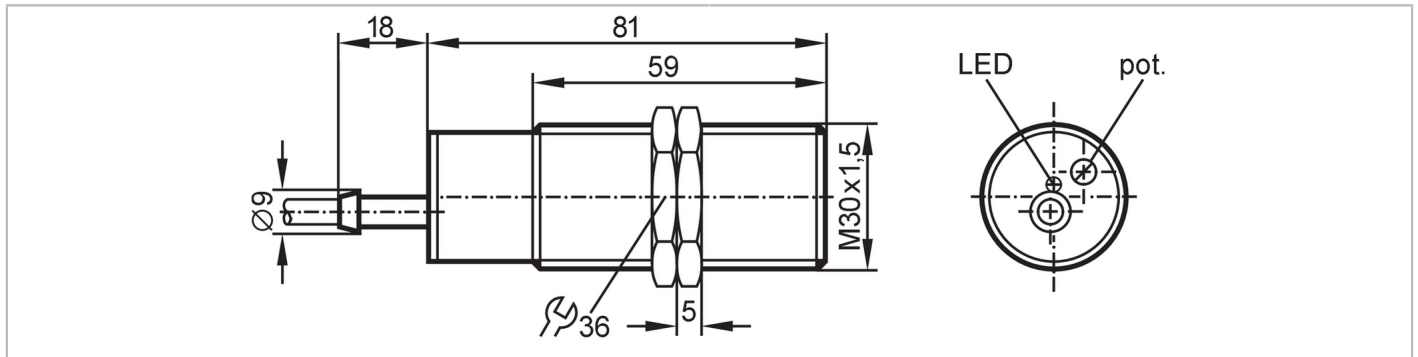


# KI8509



## Capacitive sensor

KI-2015-BBOA/NI/HUBBELL



### Product characteristics

Output function		normally closed
Sensing range	[mm]	3...15
Housing		Threaded type
Dimensions	[mm]	M30 x 1.5 / L = 81

### Electrical data

Operating voltage	[V]	20...125 AC/DC
Protection class		II
Reverse polarity protection		no
Max. power-on delay time	[ms]	300

### Outputs

Output function		normally closed
Max. voltage drop switching output DC	[V]	8
Max. voltage drop switching output AC	[V]	10
Minimum load current	[mA]	5
Max. leakage current	[mA]	1.7 (125 V AC) / 1.5 (24 V DC)
Permanent current rating of switching output AC	[mA]	200; (>70°C; 250 mA: >50°C)
Permanent current rating of switching output DC	[mA]	200; (>70°C; 250 mA: >50°C)
Short-time current rating of switching output	[mA]	2200; (20 ms / 0,5 Hz)
Switching frequency AC	[Hz]	25
Switching frequency DC	[Hz]	40
Short-circuit proof		no
Overload protection		no

### Monitoring range

Sensing range	[mm]	3...15
Sensing range adjustable		yes
Factory setting sensing range	[mm]	15
Real sensing range Sr	[mm]	15 ± 10 %
Operating distance	[mm]	0...12.1

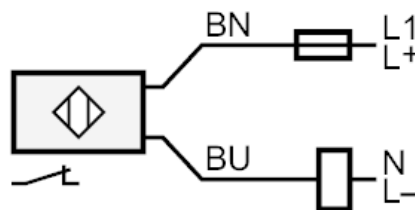
# KI8509



## Capacitive sensor

KI-2015-BBOA/NI/HUBBELL

Accuracy / deviations		
Correction factor		glass: 0.4 / water: 1 / ceramics: 0.2 / PVC: 0.2
Hysteresis	[% of Sr]	1...15
Switch-point drift	[% of Sr]	-15...15
Operating conditions		
Ambient temperature	[°C]	-25...70
Protection		IP 65
Increased immunity		yes; (Increased immunity to conducted radio frequency interference)
Tests / approvals		
EMC	EN 60947-5-2	
Mechanical data		
Weight	[g]	193.2
Housing		Threaded type
Mounting		non-flush mountable
Dimensions	[mm]	M30 x 1.5 / L = 81
Thread designation		M30 x 1.5
Material		housing: PBT
Displays / operating elements		
Display	Switching status	1 x LED, yellow
Electrical connection		
Required protection		miniature fuse to IEC60127-2 sheet 1; ≤ 2 A; fast acting
Accessories		
Items supplied		lock nuts: 2 screwdriver: 1
Remarks		
Remarks		Recommendation: check the unit for reliable function after a short circuit. The requirements regarding the protection rating of the connection / connector are to be checked and ensured by the user
Pack quantity		1 pcs.
Electrical connection		
Cable: 2 m, PVC; 2 x 0.5 mm <sup>2</sup>		
Connection		



# KI8509



## Capacitive sensor

KI-2015-BBOA/NI/HUBBELL

Connector: 1 x Hubbell (HBL7465V)



### Connection

