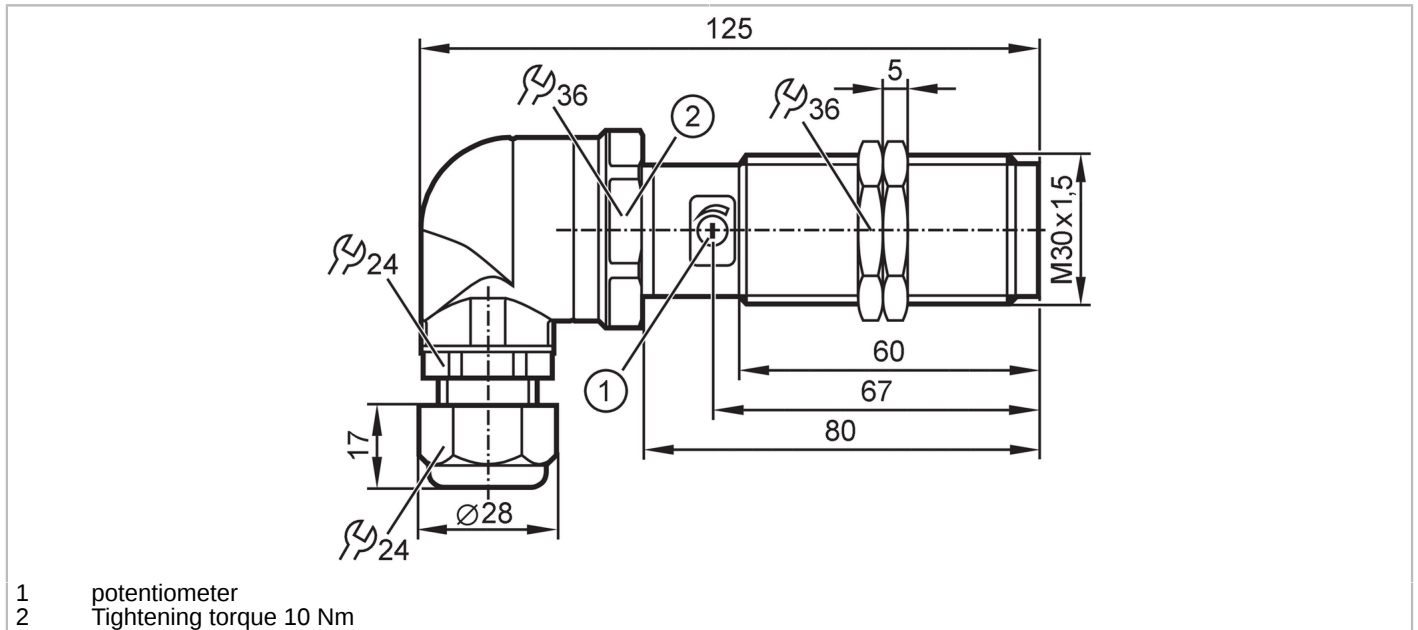


KI505A



Capacitive sensor

KIE4150NCPKG/3D



Product characteristics

Electrical design	PNP
Output function	complementary
Sensing range [mm]	15
Housing	Threaded type
Dimensions [mm]	M30 x 1.5 / L = 125

Electrical data

Operating voltage [V]	10...30 DC
Current consumption [mA]	< 20
Protection class	III
Reverse polarity protection	yes
Measuring principle	capacitive

Outputs

Electrical design	PNP
Output function	complementary
Max. voltage drop switching output DC [V]	2.5
Max. leakage current [mA]	0.1
Permanent current rating of switching output DC [mA]	200
Switching frequency DC [Hz]	10
Short-circuit proof	yes
Overload protection	yes

Monitoring range

Sensing range [mm]	15
Sensing range adjustable	yes

KI505A



Capacitive sensor

KIE4150NCPKG/3D

Factory setting sensing range [mm]	15
Real sensing range Sr [mm]	15 ± 10 %
Accuracy / deviations	
Hysteresis [% of Sr]	1...15
Switch-point drift [% of Sr]	-20...20
Operating conditions	
Ambient temperature [°C]	-20...60
Protection	IP 65; IP 67
Tests / approvals	
ATEX marking	II 3D Ex tc IIIC T90°C Dc
	BVS 20 ATEX E 058 X; IECEx BVS 20.0061X
EMC	EN 61000-4-2 ESD kV / 8 kV AD
	EN 61000-4-3 HF radiated 3 V/m
	EN 61000-4-4 Burst 2 kV
	EN 61000-4-6 HF conducted 3 V
	EN 55011 class B
	IEC 60255-5 1 kV line to line, Ri: 500 Ohm
MTTF [years]	463
Mechanical data	
Weight [g]	155
Housing	Threaded type
Mounting	non-flush mountable
Dimensions [mm]	M30 x 1.5 / L = 125
Thread designation	M30 x 1.5
Material	PBT; PA
Displays / operating elements	
Display	Switching status 1 x LED, yellow
Accessories	
Items supplied	lock nuts: 2
Remarks	
Pack quantity	1 pcs.

KI505A



Capacitive sensor

KIE4150NCPKG/3D

Electrical connection

terminals: 0.34...1.5 mm²; Cable sheath: Ø 5...9 mm; Cable gland: M20 X 1.5

Connection

