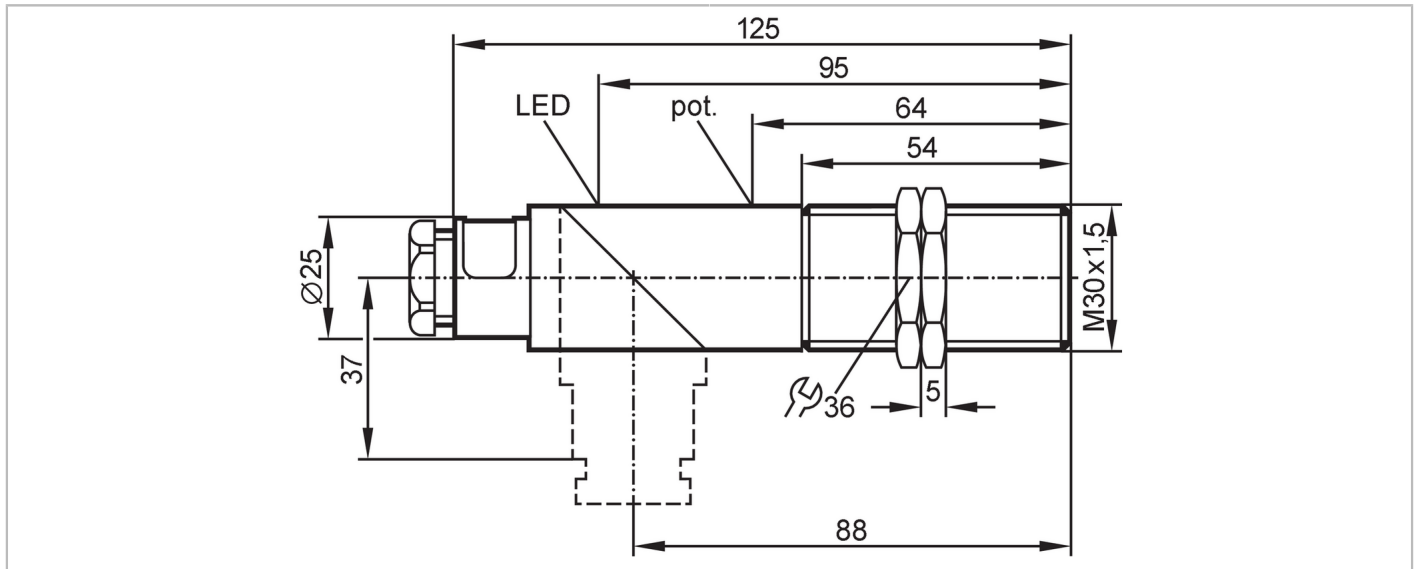


KI5023



Capacitive sensor

KIE3015-FPKG/NI/55V



Product characteristics	
Electrical design	PNP
Output function	normally open / closed; (selectable)
Sensing range [mm]	15
Housing	Threaded type
Dimensions [mm]	M30 x 1.5 / L = 125
Electrical data	
Operating voltage [V]	10...55 DC; (cULus - Class 2 source required)
Current consumption [mA]	14; (24 V)
Protection class	II
Reverse polarity protection	yes
Outputs	
Electrical design	PNP
Output function	normally open / closed; (selectable)
Max. voltage drop switching output DC [V]	2.5
Permanent current rating of switching output DC [mA]	250
Switching frequency DC [Hz]	40
Short-circuit proof	yes
Overload protection	yes
Monitoring range	
Sensing range [mm]	15
Real sensing range Sr [mm]	15 ± 10 %
Operating distance [mm]	0...12.1
Accuracy / deviations	
Correction factor	glass: 0.4 / water: 1 / ceramics: 0.2 / PVC: 0.2
Hysteresis [% of Sr]	1...15

KI5023



Capacitive sensor

KIE3015-FPKG/NI/55V

Switch-point drift	[% of Sr]	-15...15
--------------------	-----------	----------

Operating conditions

Ambient temperature	[°C]	-25...70
Protection		IP 65
Increased immunity		yes; (Increased immunity to conducted radio frequency interference)

Tests / approvals

EMC		EN 60947-5-2
MTTF	[years]	743

Mechanical data

Weight	[g]	135
Housing		Threaded type
Mounting		non-flush mountable
Dimensions	[mm]	M30 x 1.5 / L = 125
Thread designation		M30 x 1.5
Material		housing: PBT; bevelled housing part: PC

Displays / operating elements

Display	Switching status	1 x LED, yellow
---------	------------------	-----------------

Accessories

Items supplied		lock nuts: 2
----------------	--	--------------

Remarks

Pack quantity		1 pcs.
---------------	--	--------

Electrical connection

terminals: ...2.5 mm²; Cable sheath: Ø 7...13 mm; Cable gland: M20 X 1.5

Connection

