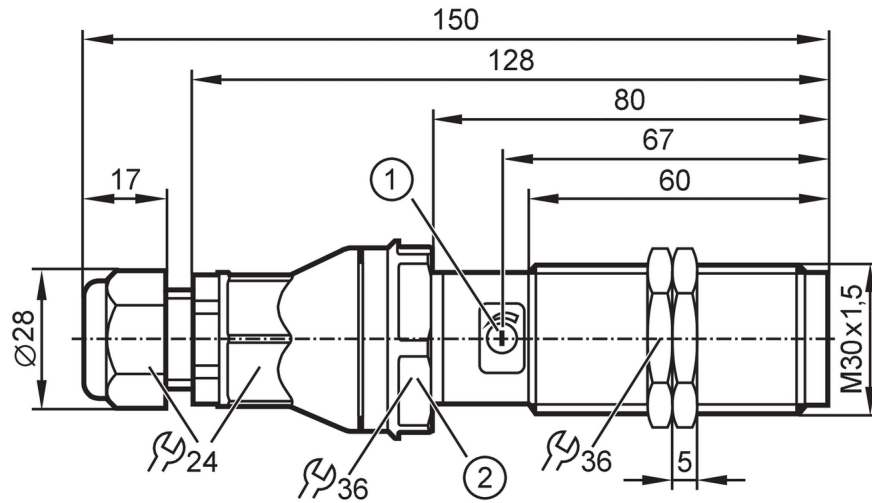


KI503A



Capacitive sensor

KIE4150NCPKG/3D



- 1 potentiometer
- 2 Tightening torque 10 Nm



Product characteristics

Electrical design		PNP
Output function		complementary
Sensing range	[mm]	15
Housing		Threaded type
Dimensions	[mm]	M30 x 1.5 / L = 150

Electrical data

Operating voltage	[V]	10...30 DC
Current consumption	[mA]	< 20
Protection class		III
Reverse polarity protection		yes
Measuring principle		capacitive

Outputs

Electrical design		PNP
Output function		complementary
Max. voltage drop switching output DC	[V]	2.5
Max. leakage current	[mA]	0.1
Permanent current rating of switching output DC	[mA]	200
Switching frequency DC	[Hz]	10
Short-circuit protection		yes
Type of short-circuit protection		yes (non-latching)
Short-circuit proof		yes
Overload protection		yes

Monitoring range



Sensing range	[mm]	15
---------------	------	----

KI503A



Capacitive sensor

KIE4150NCPKG/3D

Sensing range adjustable		yes
Factory setting sensing range [mm]		15
Real sensing range Sr [mm]		15 ± 10 %
Accuracy / deviations		
Hysteresis [% of Sr]		1...15
Switch-point drift [% of Sr]		-20...20
Operating conditions		
Ambient temperature [°C]		-20...60
Protection		IP 65; IP 67
Tests / approvals		
ATEX marking		 II 3D Ex tc IIIC T90°C Dc
		 BVS 20 ATEX E 058 X; IECEx BVS 20.0061X
EMC	EN 61000-4-2 ESD	kV / 8 kV AD
	EN 61000-4-3 HF radiated	3 V/m
	EN 61000-4-4 Burst	2 kV
	EN 61000-4-6 HF conducted	3 V
	EN 55011	class B
	IEC 60255-5	1 kV line to line, Ri: 500 Ohm
MTTF [years]		463
Mechanical data		
Weight [g]		149
Housing		Threaded type
Mounting		non-flush mountable
Dimensions [mm]		M30 x 1.5 / L = 150
Thread designation		M30 x 1.5
Material		PBT; PA
Displays / operating elements		
Display	Switching status	1 x LED, yellow
Accessories		
Items supplied		lock nuts: 2
Remarks		
Pack quantity		1 pcs.

KI503A



Capacitive sensor

KIE4150NCPKG/3D

Electrical connection

terminals: 0.34...1.5 mm²; Cable sheath: Ø 5...9 mm; Cable gland: M20 X 1.5

Connection

