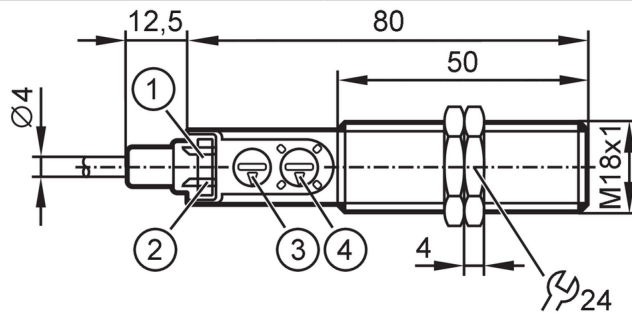


# KG6016



## Capacitive sensor

KG-3150NFNKG/PL/2P/IO



- 1 LED yellow Switching status
- 2 LED green signal
- 3 potentiometer Sensing range
- 4 potentiometer Switching function



### Product characteristics

Electrical design	NPN
Output function	normally open / closed; (selectable)
Sensing range [mm]	0.5...30
Communication interface	IO-Link
Housing	Threaded type
Dimensions [mm]	M18 x 1 / L = 92.5

### Application

Special feature	optical setting aid
-----------------	---------------------

### Electrical data

Operating voltage [V]	10...30 DC
Current consumption [mA]	< 22
Protection class	III
Reverse polarity protection	yes

### Outputs

Electrical design	NPN
Output function	normally open / closed; (selectable)
Max. voltage drop switching output DC [V]	2.5
Permanent current rating of switching output DC [mA]	200
Switching frequency DC [Hz]	30
Short-circuit protection	yes
Overload protection	yes

### Monitoring range

Sensing range [mm]	0.5...30
Sensing range adjustable	yes
Factory setting sensing range [mm]	15
Real sensing range Sr [mm]	15 ± 10 %

### Accuracy / deviations

Hysteresis [% of Sr]	1...15
----------------------	--------

# KG6016



## Capacitive sensor

KG-3150NFKG/PL/2P/IO

Switch-point drift	[% of Sr]	-10...10
--------------------	-----------	----------

### Interfaces

Communication interface	IO-Link	
Transmission type	COM2 (38,4 kBaud)	
IO-Link revision	1.1	
SDCI standard	IEC 61131-9	
Profiles	Smart Sensor - SSP 0	Generic Profiled Sensor
	Function	Device identification
	Function	Multiple switching signal
	Function	Process data variable
	Function	Device diagnosis
SIO mode	yes	
Required master port class	A	
Min. process cycle time	[ms]	20
IO-Link functions (acyclical)	application specific tag; operating hours counter; normally open / normally closed (configurable); PNP / NPN (parametrierbar); Switch point setting; Hysteresis	
Supported DeviceIDs	<b>Type of operation</b>	<b>DeviceID</b>
	default	795

### Operating conditions

Ambient temperature	[°C]	-25...80
Protection	IP 65; IP 67	

### Tests / approvals

EMC	EN 61000-4-2	8 kV AD / 4 kV CD
	EN 61000-4-3	10 V/m
	EN 61000-4-4	2 kV
	EN 61000-4-6	10 V
	EN 55011	class B
Vibration resistance	DIN EN 60947-5-2	1 mm amplitude, vibration duration 5 min., 30 min. per axis with resonance or 55 Hz
Shock resistance	DIN EN 60947-5-2	30 g 6 shocks / 11 ms half-sine (x, y, z)
UL approval	Ta	-25...60 °C
	Enclosure type	Type 1
	voltage supply	Limited Voltage/Current
	UL approval number	D004
File number UL	E174191	

### Mechanical data

Weight	[g]	73.2
Housing	Threaded type	
Mounting	non-flush mountable	
Dimensions	[mm]	M18 x 1 / L = 92.5
Thread designation	M18 x 1	
Material	Housing: PP; potentiometer: PP	

### Displays / operating elements

Display	Switching status	1 x LED, yellow
	Power	1 x LED, green
	Setting aid	8 x LED, green

# KG6016



## Capacitive sensor

KG-3150NFKG/PL/2P/IO

Optical setting aid | yes

### Accessories

Items supplied | lock nuts: 2

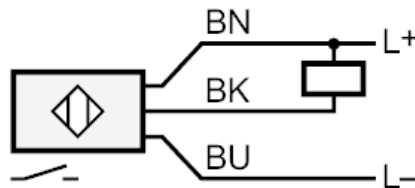
### Remarks

Pack quantity | 1 pcs.

### Electrical connection

Cable: 2 m, PUR, Ø 4 mm; 3 x 0.34 mm<sup>2</sup>

### Connection



BK: OUT / IO-Link  
Core colors :  
BK = black  
BN = brown  
BU = blue