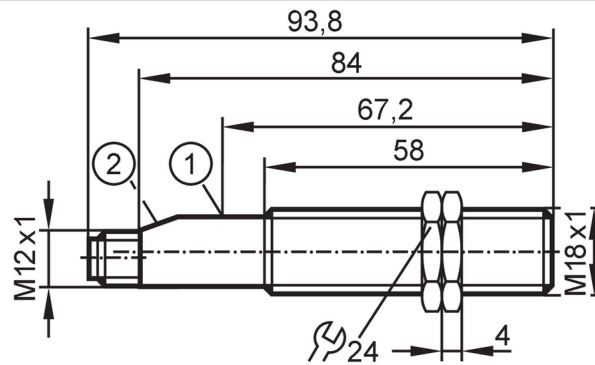


KG5057



Capacitive sensor

KG-3008-BPKG/NI/US



- 1 potentiometer
2 LED



Product characteristics

Electrical design	PNP
Output function	normally open
Sensing range [mm]	8
Housing	Threaded type
Dimensions [mm]	M18 x 1 / L = 93.8

Electrical data

Operating voltage [V]	10...36 DC
Current consumption [mA]	< 10 (24 V DC) / < 15 (36 V DC)
Protection class	II
Reverse polarity protection	yes

Outputs

Electrical design	PNP
Output function	normally open
Max. voltage drop switching output DC [V]	2.5
Permanent current rating of switching output DC [mA]	250
Switching frequency DC [Hz]	50
Short-circuit proof	yes
Overload protection	yes

Monitoring range

Sensing range [mm]	8
Sensing range adjustable	yes
Factory setting sensing range [mm]	8
Real sensing range S_r [mm]	$8 \pm 10\%$
Operating distance [mm]	0...6.5

Accuracy / deviations

Correction factor	glass: 0.4 / water: 1 / ceramics: 0.2 / PVC: 0.2
Hysteresis [% of S_r]	1...15
Switch-point drift [% of S_r]	-15...15

KG5057



Capacitive sensor

KG-3008-BPKG/NI/US

Operating conditions		
Ambient temperature	[°C]	-25...80
Protection		IP 67
Increased immunity		yes
Tests / approvals		
EMC		EN 60947-5-2
MTTF	[years]	647
Mechanical data		
Weight	[g]	29.4
Housing		Threaded type
Mounting		non-flush mountable
Dimensions	[mm]	M18 x 1 / L = 93.8
Thread designation		M18 x 1
Material		housing: PBT
Displays / operating elements		
Display	Switching status	1 x LED, yellow
Accessories		
Items supplied		lock nuts: 2
Remarks		
Pack quantity		1 pcs.

Electrical connection - plug

Connector: 1 x M12; coding: A



Connection

