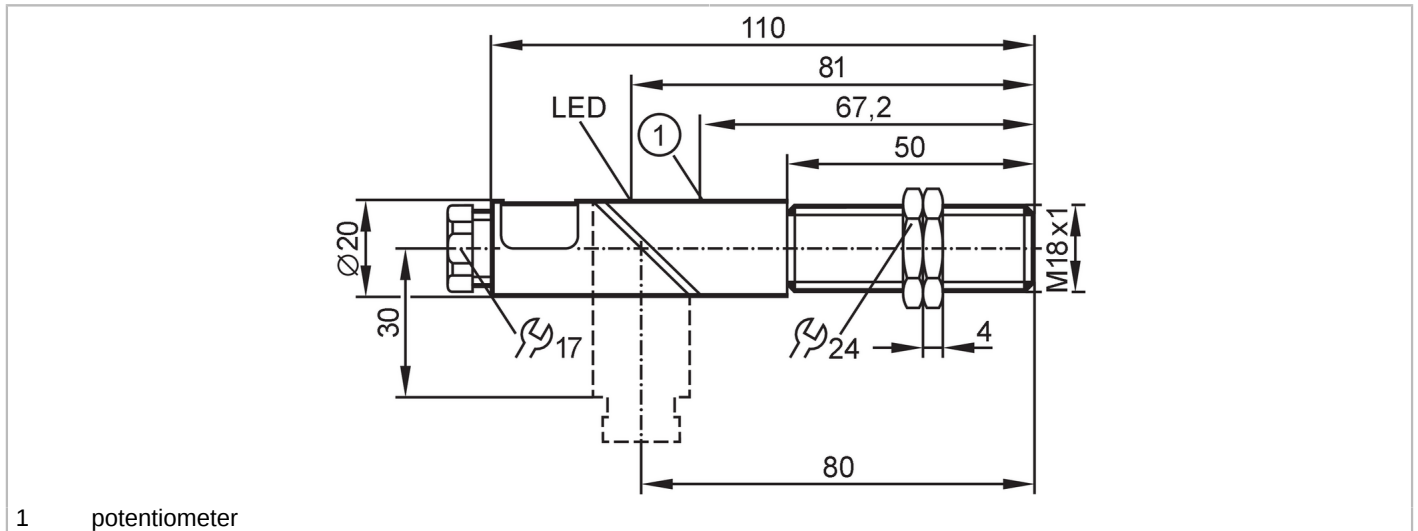


# KG0008



## Capacitive sensor

KGE2008-FBOA/NI



1 potentiometer



Product characteristics	
Output function	normally open / closed; (selectable)
Sensing range [mm]	8
Housing	Threaded type
Dimensions [mm]	M18 x 1 / L = 110
Electrical data	
Operating voltage [V]	20...250 AC/DC
Protection class	II
Reverse polarity protection	no
Measuring principle	capacitive
Outputs	
Output function	normally open / closed; (selectable)
Max. voltage drop switching output DC [V]	6
Max. voltage drop switching output AC [V]	6
Minimum load current [mA]	4
Max. leakage current [mA]	2.5 (250 V AC) / 1.7 (110 V AC) / 1.5 (24 V DC)
Permanent current rating of switching output AC [mA]	150; (350 (...50 °C))
Permanent current rating of switching output DC [mA]	100
Short-time current rating of switching output [mA]	2100; (20 ms / 0,5 Hz)
Switching frequency AC [Hz]	25
Switching frequency DC [Hz]	50
Short-circuit proof	no
Overload protection	no
Monitoring range	
Sensing range [mm]	8

# KG0008



## Capacitive sensor

KGE2008-FBOA/NI

Real sensing range Sr	[mm]	8 ± 10 %
Operating distance	[mm]	0...6.5

### Accuracy / deviations

Correction factor		glass: 0.4 / water: 1 / ceramics: 0.2 / PVC: 0.2
Hysteresis	[% of Sr]	1...15
Switch-point drift	[% of Sr]	-15...15

### Operating conditions

Ambient temperature	[°C]	-25...80
Protection		IP 65

### Tests / approvals

EMC		EN 60947-5-2
MTTF	[years]	323

### Mechanical data

Weight	[g]	44.6
Housing		Threaded type
Mounting		non-flush mountable
Dimensions	[mm]	M18 x 1 / L = 110
Thread designation		M18 x 1
Material		housing: PBT

### Displays / operating elements

Display	Switching status	1 x LED, yellow
---------	------------------	-----------------

### Electrical connection

Required protection		miniature fuse to IEC60127-2 sheet 1; ≤ 2 A; fast acting
---------------------	--	--

### Accessories

Items supplied		lock nuts: 2
----------------	--	--------------

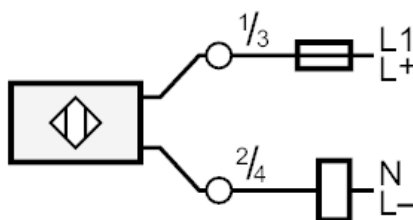
### Remarks

Remarks		Recommendation: check the unit for reliable function after a short circuit.
Pack quantity		1 pcs.

### Electrical connection

terminals: ...2.5 mm<sup>2</sup>; Cable sheath: Ø 4.5...10 mm; Cable gland: M16 X 1.5

### Connection



Note miniature fuse to IEC60127-2 sheet 1 ≤ 2 A fast acting