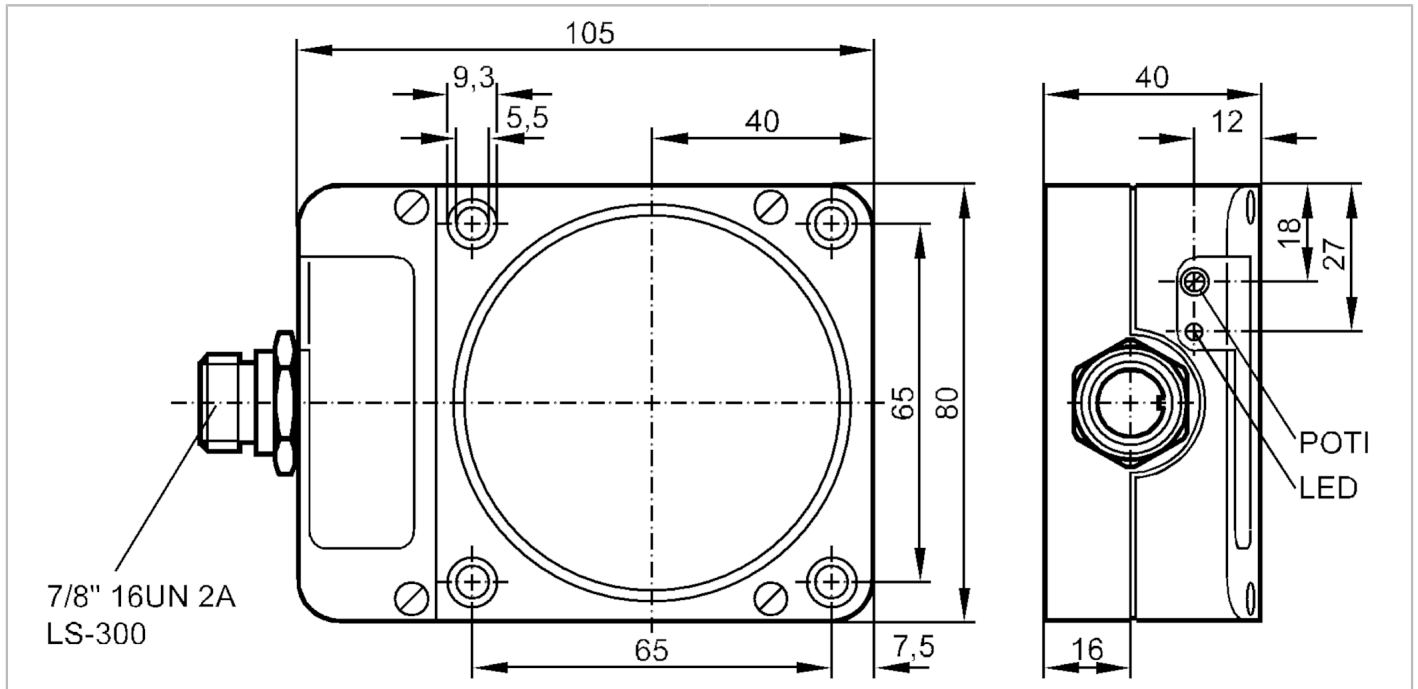


# KD3500



## Capacitive sensor

KDE2060-FBOA/NI/LS300L



### Product characteristics

Output function		normally open / closed; (selectable)
Sensing range	[mm]	60
Housing		rectangular
Dimensions	[mm]	105 x 80 x 40

### Electrical data

Operating voltage	[V]	20...250 AC/DC
Protection class		II
Reverse polarity protection		no

### Outputs

Output function		normally open / closed; (selectable)
Max. voltage drop switching output DC	[V]	8.5
Max. voltage drop switching output AC	[V]	8.5
Minimum load current	[mA]	5
Max. leakage current	[mA]	2.5 (250 V AC) / 1.3 (110 V AC) / 0.8 (24 V DC)
Permanent current rating of switching output AC	[mA]	200; (250 (...50 °C))
Permanent current rating of switching output DC	[mA]	100
Short-time current rating of switching output	[mA]	2200; (20 ms / 0,5 Hz)
Switching frequency AC	[Hz]	10
Switching frequency DC	[Hz]	10
Short-circuit proof		no
Overload protection		no

# KD3500



## Capacitive sensor

KDE2060-FBOA/NI/LS300L

Monitoring range		
Sensing range	[mm]	60
Sensing range adjustable		yes
Factory setting sensing range	[mm]	60
Real sensing range Sr	[mm]	60 ± 10 %
Operating distance	[mm]	0...48.6
Accuracy / deviations		
Correction factor		glass: 0.4 / water: 1 / ceramics: 0.2 / PVC: 0.2
Hysteresis	[% of Sr]	1...15
Switch-point drift	[% of Sr]	-15...15
Operating conditions		
Ambient temperature	[°C]	-25...80
Protection		IP 65
Increased immunity		yes; (Increased immunity to conducted radio frequency interference)
Tests / approvals		
EMC	EN 60947-5-2	
Mechanical data		
Weight	[g]	335.658
Housing		rectangular
Mounting		non-flush mountable
Dimensions	[mm]	105 x 80 x 40
Material		PPE
Displays / operating elements		
Display	Switching status	1 x LED, red
Remarks		
Pack quantity		1 pcs.

# KD3500



## Capacitive sensor

KDE2060-FBOA/NI/LS300L

### Electrical connection - plug

Connector: 1 x 7/8"; coding: A

